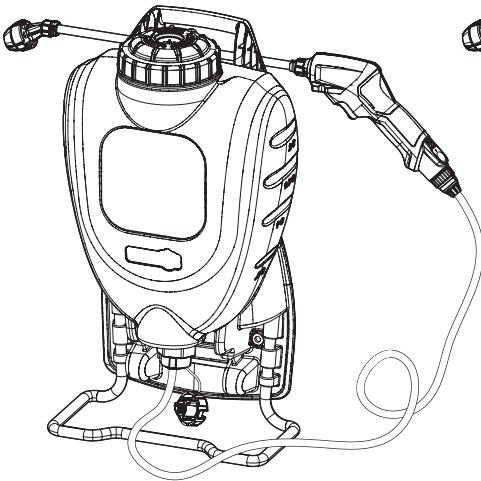
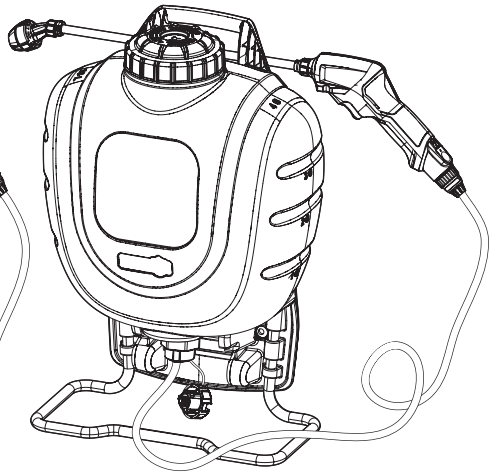




INSTRUCTION MANUAL



**2 Gallon Compact Backpack Sprayer
with Rechargeable Power Wand
(190797)**



**4 Gallon Backpack Sprayer with
Rechargeable Power Wand
(Model Not Available)**



WARNING

Read and fully understand manual
before using this product.
Failure to follow instructions could
result in death or serious injury.

Do not return this product to the store.
For help, information, or parts contact:



Craftsmanship. Innovation. Commitment

www.thefountainheadgroup.com

(800) 311-9903 | info@thefgi.com

23 Garden St. New York Mills, NY, 13417

CONTENTS

IMPORTANT SAFETY INSTRUCTIONS	3
<i>Definitions</i>	3
CHEMICAL USE SAFETY	3
SPRAYER SAFETY	3
<i>Additional Safety Information</i>	4
<i>Important Safety Instructions for All Battery Chargers</i>	4
<i>Important Safety Instructions for Power Wand Sprayer</i>	4
<i>Power Wand Sprayer Use and Care</i>	5
PACKAGE CONTENTS	5
ASSEMBLY	6
OPERATING 3-IN-1 NOZZLE	6
<i>Rotating</i>	6
<i>3-in-1 Nozzle Settings</i>	6
<i>Attaching the Hose Assembly to the Tank</i>	6
<i>Attaching the Hose Assembly to the Power Wand Sprayer</i>	6
<i>Attaching the Wand Extension</i>	6
<i>Attaching the Nozzle</i>	6
<i>Attaching the Power Wand Sprayer to the RTU Cap</i>	7
OPERATION	7
<i>Service</i>	7
<i>Charging the Power Wand Sprayer</i>	7
<i>Electronic Protection System</i>	8
<i>Filling the Sprayer</i>	8
<i>Battery Life Indicator</i>	9
<i>Spraying</i>	9
CLEANING	9
HORIZONTAL WAND STORAGE CLIP	10
TETHERED CAP PLUG INSTALLATION	10
STORAGE	11
TRANSPORTATION	11
MAINTENANCE	11
<i>Repairs</i>	11
<i>Replacing the Harness</i>	11
<i>Nozzle Maintenance</i>	11
<i>Cap and Filter Basket Maintenance</i>	11
<i>In-Tank Filter Maintenance</i>	12
<i>Hose Attachment Maintenance</i>	12
QR CODE	13
<i>2 Gallon Compact Backpack Sprayer with Rechargeable Power Wand</i>	13
FREQUENTLY ASKED QUESTIONS	13
PATENT NUMBERS	13
REPLACEMENT PARTS	13
SPECIFICATIONS	13
1-YEAR LIMITED WARRANTY	14
TROUBLESHOOTING GUIDE	15

IMPORTANT SAFETY INSTRUCTIONS

Definitions

▲ DANGER: Indicates a hazardous situation that, if not avoided, will result in death or serious injury.

▲ WARNING: Indicates a hazardous situation that, if not avoided, could result in death or serious injury.

▲ CAUTION: Indicates a hazardous situation that, if not avoided, could result in minor or moderate injury.

NOTICE: Indicates information considered important, but not hazard-related (e.g. messages relating to property damage).

▲ WARNING: WHEN USING ELECTRICAL SPRAYERS, BASIC PRECAUTIONS SHOULD BE FOLLOWED, INCLUDING THE FOLLOWING:

- Read all the instructions before using the sprayer.
- To reduce the risk of injury, close supervision is necessary when an appliance is used near children.
- Only use attachments recommended or sold by the manufacturer.
- For rechargeable sprayers, use only the charger supplied by the manufacturer to recharge.

CHEMICAL USE SAFETY

▲ DANGER: RISK OF DEATH, SEVERE PERSONAL INJURY, AND/OR PROPERTY DAMAGE FROM IMPROPER CHEMICAL USE OR MIXTURE.

- Never use flammable or combustible chemicals in this sprayer. Spraying flammable or combustible chemicals can create combustible fumes that could be ignited, causing an explosion.
- Use only chemicals indicated for spraying applications. Some chemicals may create a toxic or other hazardous atmosphere when sprayed.
- Always refer to chemical manufacturer's instructions and/or the chemical Safety Data Sheet (SDS) for proper mixture and safe application.

SPRAYER SAFETY

▲ WARNING: RISK OF PERSONAL INJURY AND/OR PROPERTY DAMAGE DUE TO CHEMICAL EXPOSURE.

▲ WARNING: DO NOT EXPOSE TO RAIN, STORE INDOORS.

- Read and understand the entire instruction manual before using this sprayer.
- Follow all instructions and precautions in the instruction manual when using this sprayer.
- Read and follow all instructions and precautions on chemical manufacturer's label of chemicals used in this sprayer.

• Use the appropriate Personal Protective Equipment (PPE) as recommended by the chemical manufacturer and/or refer to the chemical Safety Data Sheet (SDS) of the chemical being used. This includes at least goggles, gloves, and protective clothing. Failure to use appropriate PPE could result in chemical exposure through skin contact, eye contact, inhalation, or other means.

• After initial assembly, extended storage, or any possibly damaging event, such as a fall, always inspect the sprayer for damage, and test it with plain water to check for proper function. Ensure all connections are secure and leak free, and the hose is free from damage, prior to using the sprayer with chemical.

• Always inspect the hose and all connections before each use. A damaged hose or loose connections could result in an uncontrolled high pressure discharge of chemical.

• Do not spray near open flame, hot surfaces, or anything that could vaporize the spray. Doing so could create a dangerous chemical atmosphere.

• Never use caustics, bleach, acids, hot water, vinegar, or pressure-producing chemicals in this sprayer.

• Keep the sprayer and all chemicals out of the reach of children and pets.

• Only spray when the air is calm (no wind or air movement) to prevent chemical spray from drifting onto non-targeted surfaces.

• Never store chemicals in the sprayer.

• Store or dispose of any unused chemicals as instructed by the chemical manufacturer due to the potential for environmental damage from a spill or leak, and/or refer to the disposal criteria referenced in the SDS.

• Clean and rinse the sprayer after each use to avoid unintended chemical exposure and prevent contamination of subsequent applications.

• Store the sprayer in a warm, dry, dust-free location out of direct sunlight.

▲ WARNING: RISK OF PERSONAL INJURY AND/OR PROPERTY DAMAGE DUE TO RUPTURE AND/OR UNCONTROLLED HIGH PRESSURE DISCHARGE OF LIQUID CHEMICAL.

• Never modify or alter the sprayer from original condition. Never heat or alter the hose, hose nut, or barb. Doing so could weaken the components and/or connections.

• Use only replacement parts from original manufacturer. Other replacement parts are not compatible with this sprayer.

- Do not lift, carry, or pull the sprayer by the hose, power wand sprayer, or wand extension. Doing so could weaken the components and/or connections. Carry by the handle or harness only, making sure the connections are properly secured before lifting.
- To reduce the risk of electrical shock, do not put the sprayer in water or other liquid. Do not place or store the sprayer where it can fall or be pulled into a tub or sink.

Additional Safety Information

▲ WARNING: Never modify the sprayer or any part of it. Damage or personal injury could occur.

Important Safety Instructions for All Battery Chargers

▲ WARNING: Read all safety warnings, instructions, and cautionary markings for the charger and product. Failure to follow the warnings and instructions may result in electrical shock, fire, and/or serious injury.

- Do not attempt to charge the battery with any charger other than a USB-C type charger.
- Do not expose the charger to rain or snow.
- Do not allow water or any liquid to enter the charger.
- Pull by the plug rather than the cord when disconnecting the charger. This will reduce the risk of damage to the electric plug and cord.
- Make sure that the cord is located so that it will not be stepped on, tripped over, or otherwise subjected to damage or stress.
- Do not use an extension cord unless it is absolutely necessary. Use of improper extension cord could result in risk of fire, electrical shock, or electrocution.
- When operating a charger outdoors, always provide a dry location and use an extension cord suitable for outdoor use. Use of a cord suitable for outdoor use reduces the risk of electrical shock.
- An extension cord must have adequate wire size (AWG or American Wire Gauge) for safety. The smaller the gauge number of the wire, the heavier the cord and thus the greater its capacity. An undersized cord will cause a drop in line voltage resulting in loss of power and overheating. The following table shows the correct size to use depending on total length of all extension cords plugged together, and nameplate ampere rating. When in doubt, use the next heavier gauge.

Minimum Gauge for Cord Sets

Volts		Total Length of Cord in Feet (meters)			
120V		25 (7.6)	50 (15.2)	100 (30.5)	150 (45.7)
Ampere Rating		American Wire Gauge			
More Than	Not More Than				
0	6	18	16	16	14
6	10	18	16	14	12
10	12	16	16	14	12
12	16	14	12	Not Recommended	

- Do not operate the charger with a damaged cord or plug. Have them replaced immediately.
- Do not operate the charger if it has received a sharp blow, been dropped, or otherwise damaged in any way.
- Do not disassemble the charger.
- The charger is designed to operate on standard household electrical power. Do not attempt to use it on any other voltage.
- Foreign materials of a conductive nature, such as, but not limited to, grinding dust, metal chips, steel wool, aluminum foil, or any buildup of metallic particles should be kept away from the charger cavities.

Important Safety Instructions for Power Wand Sprayer

▲ WARNING: Read all safety warnings, instructions, and cautionary markings for the charger and product. Failure to follow the warnings and instructions may result in electrical shock, fire, and/or serious injury.

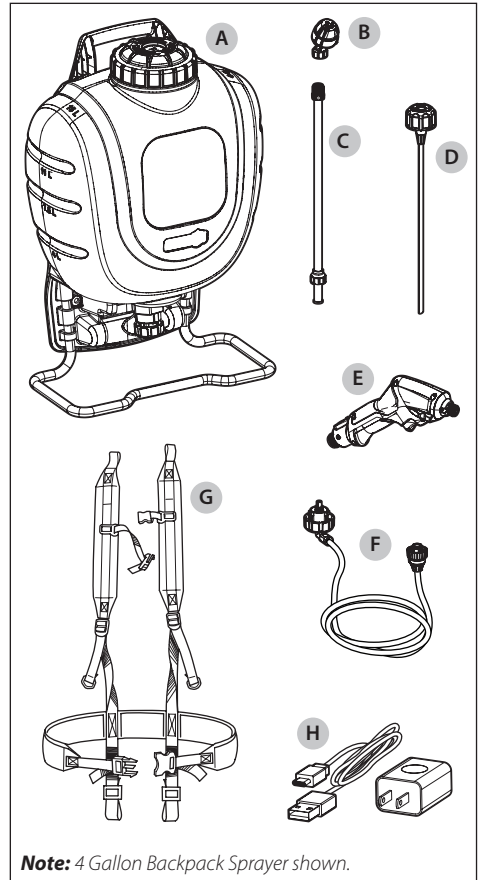
- Do not charge or use the power wand sprayer in explosive atmospheres, such as in the presence of flammable liquids, gases, or dust. Inserting or removing the charger may ignite the dust or fumes.
- Do not splash or immerse the power wand sprayer in water or other liquids.
- Do not allow water or any liquid to enter power wand sprayer.
- Do not store or use the power wand sprayer in locations where the temperature may reach or exceed 104°F (40°C) (such as outside sheds or metal buildings in summer). For best battery life store power wand sprayer in a cool, dry location. **NOTE:** Never tape the trigger switch in the ON position.
- Do not incinerate the power wand sprayer even if it is severely damaged or is completely worn out. The internal battery can explode in a fire. Toxic fumes and materials are created when lithium-ion batteries are burned.

- If battery contents come into contact with the skin, immediately wash area with mild soap and water. If battery liquid gets into the eye, rinse water over the open eye for 15 minutes or until irritation ceases. If medical attention is needed, the battery electrolyte is composed of a mixture of liquid organic carbonates and lithium salts.
- Contents of opened battery cells may cause respiratory irritation. Provide fresh air. If symptoms persist, seek medical attention.
- Battery liquid may be flammable if exposed to a spark or flame.
- Never attempt to open the power wand sprayer for any reason. If the power wand sprayer case is cracked or damaged, do not insert the charger. Do not crush, drop, or damage the power wand sprayer. Do not use a power wand sprayer or charger that has received a sharp blow, been dropped, run over, or damaged in any way (e.g., pierced with a nail, hit with a hammer, stepped on).
- Damaged power wand sprayers should be properly recycled.

Power Wand Sprayer Use and Care

- Recharge only with the charger specified by the manufacturer. A charger that is suitable for one type of battery may create a risk of fire when used with another battery.
- Under abusive conditions, liquid may be ejected from the power wand sprayer's internal battery; avoid contact. If contact accidentally occurs, flush with water. If liquid contacts eyes, additionally seek medical help. Liquid ejected from the power wand sprayer's internal battery may cause irritation or burns.
- Do not use a power wand sprayer that is damaged or modified. Damaged or modified power wand sprayers may exhibit unpredictable behavior resulting in fire, explosion, or risk of injury.
- Do not expose the power wand sprayer to fire or excessive temperature. Exposure to fire or temperature above 265° F (130° C) may cause explosion.
- Follow all charging instructions, and do not charge the power wand sprayer outside the temperature range specified in the instructions. Charging improperly or at temperatures outside the specified range may damage the internal battery and increase the risk of fire.

PACKAGE CONTENTS



Note: 4 Gallon Backpack Sprayer shown.

- A Tank Assembly
- B 3-in-1 Nozzle
- C Wand Extension
- D RTU (Ready-To-Use) Cap and Dip Tube
- E Rechargeable Power Wand Sprayer
- F Hose Assembly
- G Harness
- H Charger and USB-C Cord

SAVE THESE INSTRUCTIONS FOR FUTURE USE

ASSEMBLY

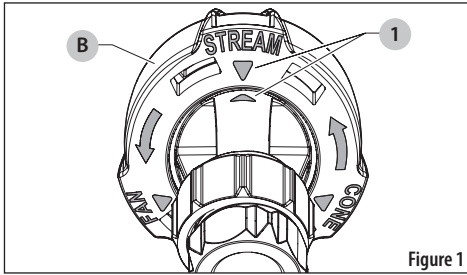
- ▲ **WARNING: RISK OF PERSONAL INJURY AND/OR PROPERTY DAMAGE DUE TO CHEMICAL EXPOSURE.** After initial assembly, always inspect the sprayer for damage, and test it with plain water to check for proper function. Ensure all connections are secure and leak free, and the hose is free from damage, prior to using the sprayer with chemicals.
- ▲ **WARNING: Only use attachments recommended or sold by the manufacturer.**
- ▲ **WARNING: For Household Use Only.**

OPERATING 3-IN-1 NOZZLE

- ▲ **WARNING: Read Safety Precautions!** Always make sure the trigger is not activated before rotating nozzle to different spray setting. Make sure arrow indicators are aligned before spraying. Failure to do so may result in leaks.

Rotating

1. Rotate 3-in-1 nozzle (B) to desired nozzle position.
2. Nozzle end will fall into place as arrow indicators (1) become aligned. See Figure 1.



3-in-1 Nozzle Settings

Stream

- Spot spraying in flower beds, walkways, driveways, and patios, around trees and shrubs.
- Edging along fences, driveways, and walkways.

Fan

- Lawn replacement. Kill lawn and weeds before planting a new lawn.
- Preparing large areas for planting of ornamental and vegetable gardens.

Cone

- Killing brush such as poison ivy, poison oak, kudzu, and wild blackberry.
- Preparing garden beds for planting of ornamentals and vegetables.

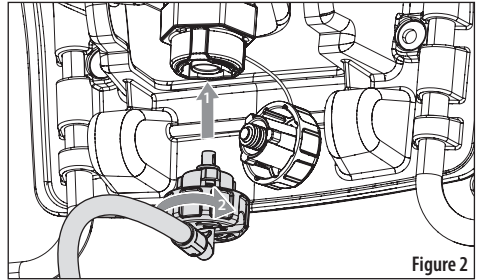
Attaching the Hose Assembly to the Tank

- ▲ **CAUTION: Do not attempt to heat or alter hose or barb prior to assembly.**

 1. Align hose barb tabs with the cap, push hose barb into cap until it stops. See Figure 2.
 2. Continue to push hose barb into cap. Turn hose barb clockwise to secure it to the cap.

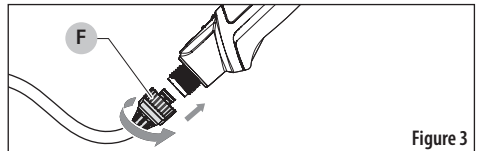
NOTE: Do not use tools to tighten hose barb or cap.

NOTE: Remove hose when not in use, empty tank contents, and then attach the tethered cap plug. See Tethered Cap Plug Installation.



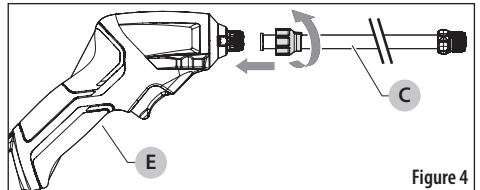
Attaching the Hose Assembly to the Power Wand Sprayer

Install the hose assembly (F) onto the power wand sprayer. Turn clockwise to tighten. See Figure 3.



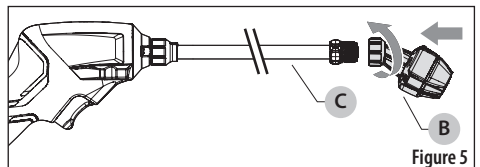
Attaching the Wand Extension

Install the wand extension (C) onto the power wand sprayer (E). Turn clockwise to tighten. See Figure 4.



Attaching the Nozzle

Install 3-in-1 nozzle (B) onto the end of the wand extension (C). Turn clockwise to tighten. See Figure 5.



Attaching the Power Wand Sprayer to the RTU Cap

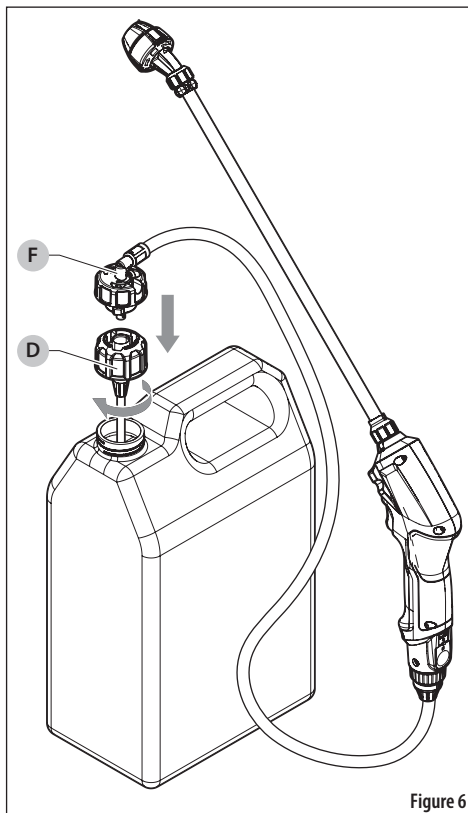
The power wand sprayer can be alternatively used with any bottle with a 38 mm opening using the included RTU (Ready-To-Use) cap (D). See Figure 6.

▲ WARNING: Only use bottles that are properly rated for the chemicals used in the application.

1. Insert the dip tube on the RTU cap (D) into the bottle of your choice. Turn cap clockwise until secured to the bottle.
2. Align hose barb tabs (F) with the RTU cap (D), push hose barb into RTU cap until it stops.
3. Continue to push hose barb down. Turn hose barb clockwise to secure it to the RTU cap.

NOTE: Do not use tools to tighten hose barb or RTU cap.

NOTE: Remove hose when not in use.



OPERATION

▲ WARNING: RISK OF PERSONAL INJURY DUE TO CHEMICAL EXPOSURE. Use the appropriate Personal Protective Equipment (PPE) as recommended by the chemical manufacturer and/or refer to the chemical Safety Data Sheet (SDS) of the chemical being used. This includes at least goggles, gloves, and protective clothing.

▲ WARNING: To reduce the risk of serious personal injury, turn unit OFF before making any adjustments or removing/installing attachments or accessories. An accidental start-up can cause injury.

NOTICE: The power wand sprayer is not fully charged out of the carton. Before using the power wand sprayer and charger, read the safety instructions below and then follow the charging procedures outlined.

Service

- Only use identical replacement parts provided by the manufacturer. This will ensure that the safety of the power wand sprayer is maintained.
- Never service damaged power wand sprayers. Service of power wand sprayers should only be performed by the manufacturer or authorized service providers.

Charging the Power Wand Sprayer

▲ WARNING: Do not charge the power wand sprayer in extreme temperatures. It is recommended to charge the power wand sprayer in ambient temperatures between 40–104° F (4.5–40° C).

To charge the power wand sprayer:

1. Plug the charger (1) into an appropriate outlet.
2. Ensure the USB-C cord (2) is fully inserted into the charger.
3. Insert the other end of the USB-C (3) cord into the charging port located above the power button on the handle of the power wand sprayer. See Figure 7.
4. Charging is complete when the green light remains continuously ON. To ensure optimal battery life, the power wand sprayer should be charged at least once every 3 months when not in use.

NOTE: The charger will not charge a power wand sprayer with a faulty battery, which may be indicated by the light staying OFF, or the red and green light alternately blinking, or a red light blinking.

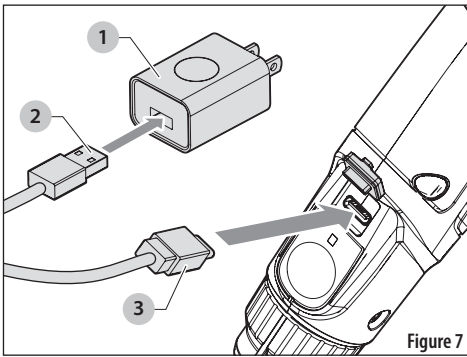


Figure 7

Electronic Protection System

Li-ion tools are designed with an Electronic Protection System that protects the battery against overloading, overheating, or deep discharge.

Important Charging Notes

The charger and power wand sprayer may become warm to the touch while charging. This is normal and does not indicate a problem. To facilitate the cooling of the power wand sprayer after use, avoid placing the charger or power wand sprayer in a warm environment such as in a metal shed or an uninsulated trailer.

If the power wand sprayer does not charge properly:

- Check operation of the receptacle by plugging in a lamp or other appliance.
- Check to see if the receptacle is connected to a light switch which turns power OFF when you turn off the lights.
- If charging problems persist, replace the power wand sprayer or charger. See *Troubleshooting Guide, The power wand sprayer does not charge.*

You may charge a partially depleted power wand sprayer at any time with no adverse effect on the internal battery.

Filling the Sprayer

▲ DANGER: RISK OF DEATH, SEVERE PERSONAL INJURY, AND/OR PROPERTY DAMAGE FROM IMPROPER CHEMICAL USE OR MIXTURE.

- Never use flammable or combustible chemicals in this sprayer. Spraying flammable or combustible chemicals can create combustible fumes that could be ignited, causing an explosion.
- Use only chemicals indicated for spraying applications. Some chemicals may create a toxic or other hazardous atmosphere when sprayed.
- Always refer to chemical manufacturer's instructions and/or the chemical Safety Data Sheet (SDS) for proper mixture and safe application.

▲ WARNING: Inspect the tank, hose, power wand sprayer, wand extension, and all connections for damage before each use. A damaged or loose hose connection can result in unintended exposure to the pressurized chemicals, resulting in serious injury or property damage.

Before you Begin

Test the sprayer with plain water before use with chemicals, prior to initial use, and after prolonged storage.

Place the sprayer on a stable surface and ensure it is OFF.

Filling Procedure

1. Unscrew the cap (1) and place it on a clean surface where it will not collect dirt, dust, grass clippings, or other debris. See *Figure 8*.
2. Remove the filter basket (2) and remove any debris. Place the filter basket (2) on a clean surface where it will not collect dirt, dust, grass clippings, or other debris.
3. Inspect the tank interior for debris, and clean as needed.
4. Check to make sure the in-tank filter (3) is in place, the mesh is intact, and it is not clogged with debris. See *In-Tank Filter Maintenance*.
5. Follow the chemical manufacturer's instructions for preparing the chemical. Fill the sprayer by pouring liquid into the top opening and through the filter basket, to the desired volume, according to the volume graduation markings on the side of the tank.
6. Clean up any spilled, splashed, or overflowed liquid on the sprayer.

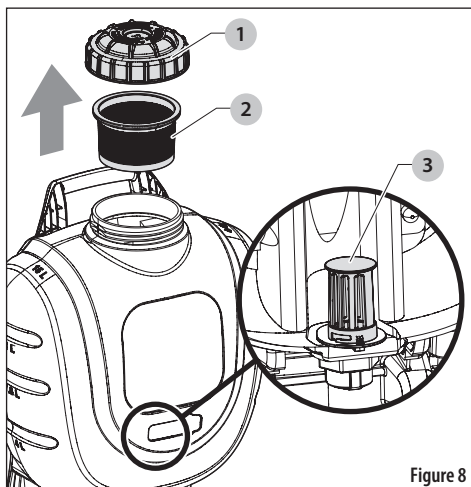


Figure 8

Battery Life Indicator

1. Push the power button (1) to the ON position. A light (2) above the power button turns on to indicate the battery level. See Figure 9.
2. Battery indicator lights:
 - a. Green light: Sufficient charge
 - b. Yellow light: Medium charge
 - c. Red light: Low battery, need to charge

NOTE: When the red light activates, the sprayer will spray for approximately one gallon, depending on the nozzle setting.

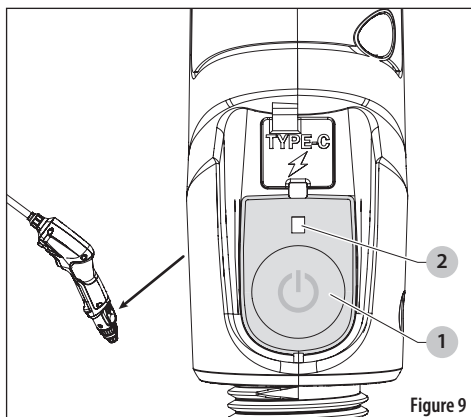


Figure 9

Spraying

- ▲ **WARNING: RISK OF PERSONAL INJURY AND/OR PROPERTY DAMAGE DUE TO UNINTENDED SPRAYING OF CHEMICALS.** Ensure the trigger on the power wand sprayer is not engaged before powering ON the sprayer. Once powered ON, the pump will spray if the power wand sprayer trigger is depressed.

NOTICE: RISK OF PROPERTY DAMAGE. Only spray when the air is calm (no wind or air movement) to prevent chemical spray from drifting onto non-targeted surfaces.

1. Push the power button (1) to turn ON. The light above the power button turns on. See Figure 10.
2. Aim the power wand sprayer in the desired direction of spraying and squeeze the trigger (2).
3. To turn off the power wand sprayer, push the power button (1) to the OFF position. The light above the power button turns off.
4. Always remove any chemicals, and clean the power wand sprayer when finished. See the *Cleaning and Storage* sections of this manual.

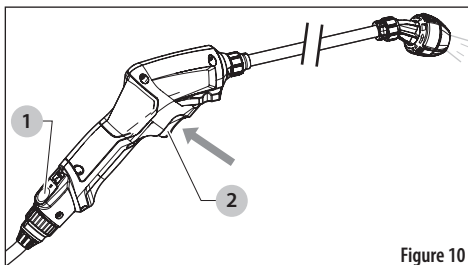


Figure 10

CLEANING

- ▲ **WARNING:** Always release pressure from the power wand sprayer prior to cleaning. Disassembly of a sprayer that is still pressurized may result in the high-speed ejection of components.
- ▲ **WARNING: RISK OF PERSONAL INJURY DUE TO CHEMICAL EXPOSURE.** Use the appropriate Personal Protective Equipment (PPE) as recommended by the chemical manufacturer and/or refer to the chemical Safety Data Sheet (SDS) of the chemical being used. This includes at least goggles, gloves, and protective clothing.
- ▲ **WARNING: RISK OF DAMAGE TO INTERNAL COMPONENTS.** Failure to properly rinse out the sprayer may allow chemical residue build-up that can clog or damage the filters, power wand sprayer, wand extension, and nozzle. Chemical residue build-up can also contaminate subsequent applications. Leaving chemical liquids in the sprayer when not in use can lead to premature sprayer wear. Never store the sprayer with chemicals in any part of the sprayer.

1. Ensure the power wand sprayer (E) is OFF and remove the power wand sprayer. See Figure 11.
2. Remove the cap (1) and the filter basket (2) and empty any extra chemical from the tank into a suitable container for later use or dispose according to the chemical manufacturer's instructions.

3. Use clean water to thoroughly rinse and empty the tank until all chemicals and residues are removed.
4. Add approximately 1 quart (1 liter) of clean water to the tank.
5. Reinstall the hose and power wand sprayer (E) and press the power button (3) to turn the sprayer ON.
6. Flush water through the hose, power wand sprayer, and nozzle for at least 30 seconds to rinse them out. Failure to rinse out these components may allow chemical residue build-up that can clog or damage the components. After heavy use, rinsing the nozzles may not be enough to remove residue. The nozzle may need to be soaked or cleaned with a small brush.
7. Empty out any remaining water from the tank, then continue to spray until water no longer comes out of the nozzle. This indicates that most of the water in the system has been removed.
8. Press the power button to turn the power wand sprayer OFF.
9. Squeeze the trigger on the power wand sprayer to release any remaining liquid in the hose.
10. Allow the sprayer to dry. This is best done by removing the hose, power wand sprayer, cap, and filter basket and hanging the sprayer upside down to let it drain.
11. Once the sprayer is dried, turn the sprayer upright and reinstall the cap (1) and filter basket (2) to prevent debris from entering the tank.

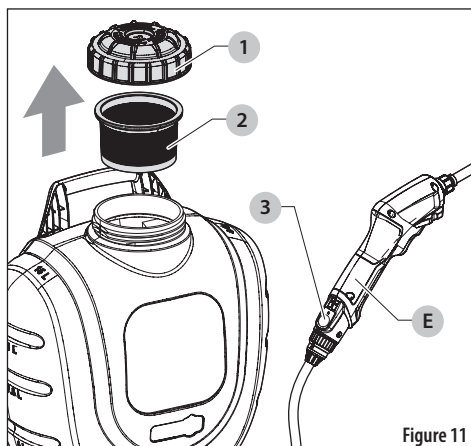


Figure 11

HORIZONTAL WAND STORAGE CLIP

There are horizontal wand storage clips (1) attached to the back of the tank which the wand can be secured with. The horizontal wand clips help with storage as it reduces the space needed around the sprayer. See Figure 12.

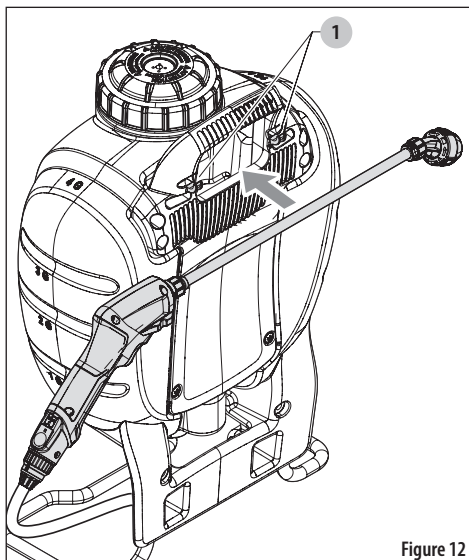


Figure 12

TETHERED CAP PLUG INSTALLATION

The tethered cap plug should be installed onto the tank cap when the sprayer will be stored.

1. Align the tethered cap plug barb tabs (1) with the tank cap (2) and push into the cap until it stops.
2. Turn tethered cap plug clockwise to secure it to the cap. See Figure 13.

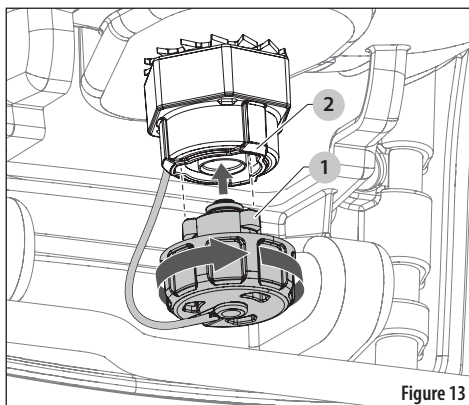


Figure 13

STORAGE

Store the sprayer indoors in a warm, dry location out of direct sunlight and away from any sources of moisture or intense heat. Do not store the sprayer where freezing temperatures (below 32°F/0°C) will occur. Allowing water to freeze inside the sprayer may cause damage to the power wand sprayer, wand extension, or other components, and void the sprayer warranty.

TRANSPORTATION

NOTE: The power wand sprayer contains an internal Li-ion battery and should not be put in checked baggage on airplanes and must be properly protected in carry-on baggage.

MAINTENANCE

- ▲ **WARNING:** To reduce the risk of serious personal injury, turn unit OFF before making any adjustments or removing/installing attachments or accessories. An accidental start-up can cause injury.
- ▲ **WARNING: RISK OF PERSONAL INJURY AND/OR PROPERTY DAMAGE DUE TO CHEMICAL EXPOSURE.** Always ensure that all chemicals have been removed from the sprayer and the sprayer has been cleaned prior to performing any maintenance.

Repairs

The power wand sprayer and charger are not serviceable. There are no serviceable parts inside of the power wand sprayer or charger.

Replacing the Harness

1. For each side of the harness (G), remove the small plastic clips (1) from the two shoulder strap loops and thread each loop through the slots at the top of the sprayer handle. See Figure 14.
2. Replace the clips (1) through the loops and pull the strap securing the two harness (G) straps in place.

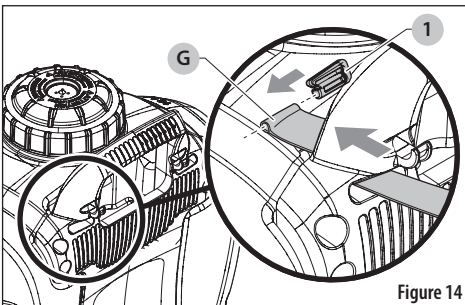


Figure 14

3. For the lower straps, remove the strap from the top portion of the buckles (3) and place around the foot stand (2), starting from underneath. See Figure 15.

4. Loop the strap through the first section of the buckle (3). Then loop the strap through the other section of the buckle (3) to tighten. Adjust the shoulder pads and strap lengths for a comfortable fit.

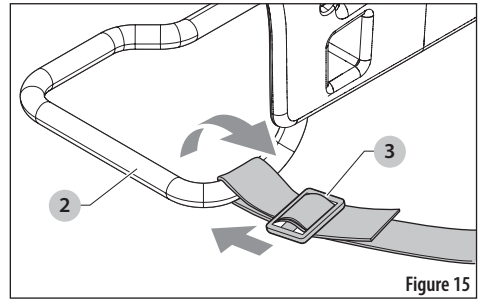


Figure 15

Nozzle Maintenance

- ▲ **WARNING:** Prior to performing maintenance, always depressurize the sprayer by turning the sprayer OFF and squeezing the trigger on the power wand to spray until liquid flow stops.

- If a nozzle clogs, remove and disassemble the nozzle assembly.
- Clean the openings of any obstructions or residue.
- Do not use sharp tools that could scratch or damage the nozzles as spray pattern could be affected.
- Do not hit nozzle against surfaces to unclog.

Cap and Filter Basket Maintenance

- Check the cap (1) and the filter basket gasket (3) on the filter basket (2) to ensure they do not show signs of wear and are operating properly. See Figure 16.
- Replace them as required.

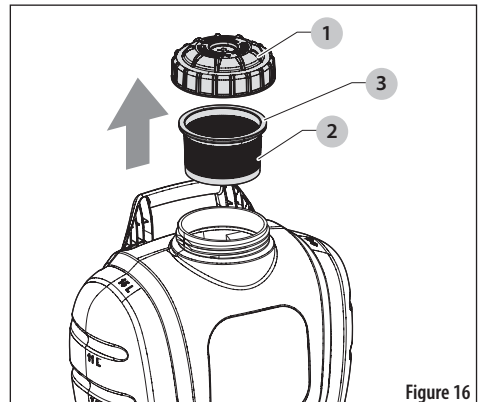


Figure 16

In-Tank Filter Maintenance

▲ CAUTION: RISK OF DAMAGE TO INTERNAL COMPONENTS. Do not operate the sprayer without the in-tank filter properly installed. Doing so could allow debris to enter the pump and cause clogging or damage to the pump.

1. Ensure the sprayer is OFF.
2. Remove the cap and filter basket. Rinse with clean water to remove any debris.
3. Place the filter basket and cap on a clean surface where they will not collect dirt, dust, grass clippings, or other debris.
4. Pour any liquid from the tank into an appropriate container for later use or proper disposal according to chemical manufacturer's instructions.
5. Rinse and empty the tank to remove any dirt, debris, or residue.
6. Reach into the tank and carefully grasp the in-tank filter (1) located at the bottom of the tank. See Figure 17.
7. Turn the in-tank filter approximately 1/8 of a turn counterclockwise until it stops turning and pull up to remove it from the tank.

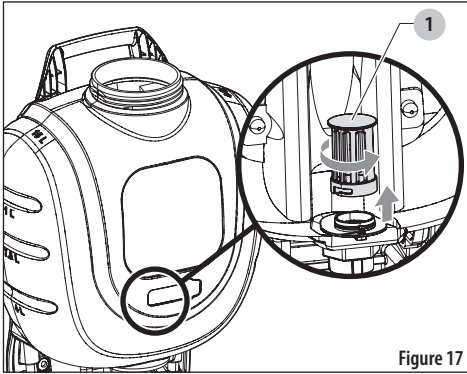


Figure 17

8. Clean the in-tank filter carefully rinsing from the inside to the outside. Be sure not to tear or damage the mesh. Any damage to the mesh may allow debris to enter the internal pump of the power wand sprayer and cause clogging or damage to the pump.

NOTE: If the in-tank filter is damaged or too dirty to permit cleaning, replace with a new in-tank filter.

9. To re-install the in-tank filter (1), gently set it back over the filter base in the bottom of the tank, and slowly turn the filter clockwise until the locking tabs on the filter base align with the grooves in the filter. The in-tank filter will drop downward approximately 1/8 in. when this happens.
10. Push down on the in-tank filter until it stops, approximately another 1/4 in., then turn the in-tank filter approximately 1/8 turn clockwise until it stops. See Figure 18.

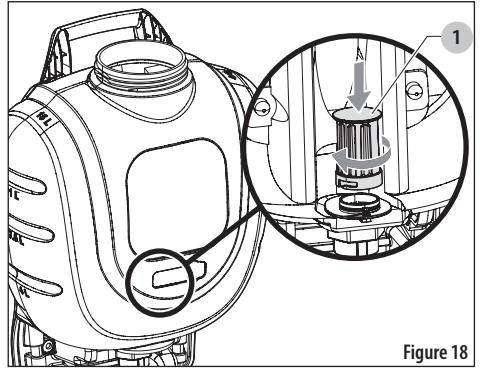


Figure 18

Hose Attachment Maintenance

Detach the hose from the tank cap. Push the hose barb into the cap, twist counterclockwise, and remove hose barb from the cap. Remove any remaining water from the hose. See Figure 19.

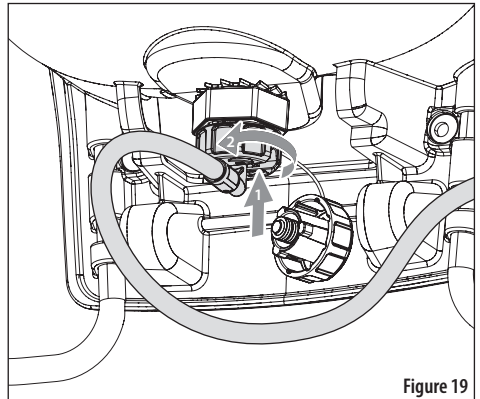


Figure 19

QR CODE

A QR code label is on the top of the backpack inside the carry handle. Scan the QR code for information on the product. Scanning the QR code will redirect you to the Lithium-ion Power Wand Backpack Sprayer product page where you can purchase replacement parts, view the user manual, access various videos and documents, and obtain assistance on the usage and troubleshooting of the backpack sprayer. See *Figure 20*.

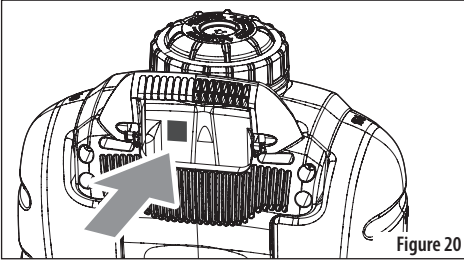


Figure 20

2 Gallon Compact Backpack Sprayer with Rechargeable Power Wand

For Instruction Manual and Additional Information.



<https://qrcodes.pro/xcsLOW190797>

Made in China

Distributed under license by:

The Fountainhead Group, Inc.
23 Garden Street
New York Mills, NY 13417 U.S.A.

Fax: (800) 311-9903

Email: info@TheFGI.com

www.TheFountainheadGroup.com

FREQUENTLY ASKED QUESTIONS

See www.thefountainheadgroup.com for specific product FAQ's.

PATENT NUMBERS

See www.thefountainheadgroup.com for specific product patent numbers.

REPLACEMENT PARTS

Part Number	Description
185561	Power Wand Sprayer and Charger Kit
185420	50" Replacement Hose
185571	USB-C, 1.8 m Charger Cord
185495	USB-C, 5V, 1.0A Charger Head
182329	3-in-1 Nozzle (Red)
183055	14" Poly Wand
181564	Filter basket
184401	Tank cap
185424	RTU Cap Assembly and Dip Tube
184194	Spray Shield

SPECIFICATIONS

Voltage	3.6 V (nominal)
Current	1.5 A
Battery Capacity	2000 mAh
Work Time	120 minutes
Charge Time	120 minutes
Working Pressures	4.4 PSI-20 PSI (depending on nozzle setting)

1-YEAR LIMITED WARRANTY

This limited warranty gives you, the original product purchaser, specific legal rights. You may also have other rights, which vary from state to state.

The Fountainhead Group, Inc. (FGI) warrants to the original product purchaser, that each product will be free from defects in material and workmanship, under normal use and conditions, for a period of one (1) year from the date of purchase. FGI makes no other express warranties, and all implied warranties, including fitness and merchantability, are limited to one (1) year from the date of purchase.

If the product fails to function as intended, call our customer support hotline at +1-800-311-9903 or email info@thefgi.com. Within the warranty period, FGI will repair or replace any part found to be defective upon our examination. FGI reserves the right to require the return of the defective product with the proof of purchase to establish a claim under this warranty. The warranty period is not extended if we repair or replace the product. All shipping expenses will be covered by the customer.

This limited warranty does not cover any damage or defect resulting from transportation, storage, maintenance, improper use, negligence, accident, normal wear, alterations, or operation or any other activity or action which is not in accordance with the instruction manual. Any parts that are deemed wearable parts are not part of the limited warranty.

In no event shall FGI be liable for any incidental, special, consequential or punitive damages, or for any attorney fees, expenses, losses or delays alleged to be as a consequence of any damage to, failure of, or inadequate product training, but not limited to, any claims for loss of profits.

TROUBLESHOOTING GUIDE

BE SURE TO FOLLOW SAFETY RULES AND INSTRUCTIONS

For assistance with your product, visit our website at www.thefountainheadgroup.com or call 1-800-311-9903.

PROBLEM	POSSIBLE CAUSE	SOLUTION
The power wand sprayer does not turn ON	Ensure the power wand sprayer is charged.	Charge the power wand sprayer. See <i>Charging the Power Wand Sprayer</i> .
	The power wand sprayer may have overheated.	Allow the power wand sprayer to cool.
The power wand sprayer turns ON (pump hums when trigger is pulled) but it will not spray.	There is no liquid in the tank.	Add liquid to the tank. See <i>Filling the Sprayer</i> .
	The nozzle is clogged.	Clean the nozzle. See <i>Nozzle Maintenance</i> .
	The in-tank filter is clogged.	Clean the in-tank filter. See <i>In-Tank Filter Maintenance</i> .
	The power wand sprayer is not primed.	Allow at least 30 seconds for the pump to prime.
	The hose is not connected to the power wand sprayer.	Connect the hose to the power wand sprayer and press the trigger to prime the power wand sprayer. See <i>Attaching the Hose Assembly to the Power Wand Sprayer</i> .
The power wand sprayer turns ON but only sprays at low pressure.	The power wand sprayer is clogged.	Replace power wand sprayer.
	The nozzle is clogged.	Clean the nozzle. See <i>Nozzle Maintenance</i> .
	The power wand sprayer is clogged.	Replace power wand sprayer.
	The hose is not fully seated at the power wand sprayer or the tank connection.	Disconnect and reconnect both ends of the hose. See <i>Attaching the Hose Assembly to the Tank and Attaching the Hose Assembly to the Power Wand Sprayer</i> .
The power wand sprayer does not fully prime.	The in-tank filter is clogged.	Clean the in-tank-filter. See <i>In-Tank Filter Maintenance</i> .
	The power wand sprayer is clogged.	Replace power wand sprayer.
	The liquid level in the tank is low.	Add liquid to the tank. See <i>Filling the Sprayer</i> .
The power wand sprayer does not fully prime.	There is chemical residue or buildup in the tank and/or pump due to improper or inadequate cleaning.	Clean the sprayer. See <i>Cleaning</i> . If necessary, repeat with warm water and a mild detergent mixture. Allow the mixture to stay in the pump for up to 1 hour prior to rinsing. Replace the power wand sprayer if necessary.
	The in-tank filter is improperly installed, missing, or damaged, allowing debris to enter the pump.	Clean the sprayer. See <i>Cleaning</i> . If necessary, repeat with warm water and a mild detergent mixture. Allow the mixture to stay in the pump for up to 1 hour prior to rinsing. Replace the power wand sprayer if necessary.
	The hose is not fully seated at the power wand sprayer or the tank connection.	Disconnect and reconnect both ends of the hose. See <i>Attaching the Hose Assembly to the Tank and Attaching the Hose Assembly to the Power Wand Sprayer</i> .

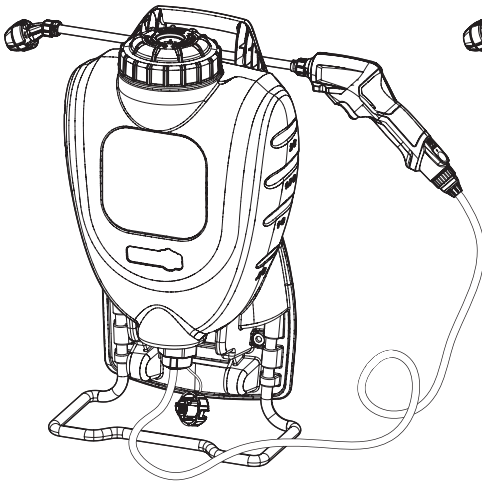
PROBLEM	POSSIBLE CAUSE	SOLUTION
The hose leaks at the tank connection or power wand sprayer.	The hose is cracked, swollen, or faulty.	Replace the hose.
	The connection is damaged.	Replace the hose assembly, tank, or power wand sprayer.
The nozzle drips when the trigger is not depressed.	There is dirt or debris in the power wand sprayer.	Clean the hose and power wand sprayer.
	There is a damaged o-ring or seal in the power wand sprayer.	Replace the hose and power wand sprayer.
	Trigger is not fully depressed.	Inspect for debris in between trigger and wand case to ensure trigger is fully depressed.
The wand extension or nozzle tip leaks.	O-ring is missing or damaged.	Replace O-ring at wand extension or nozzle tip.
The spray pattern is poor.	The nozzle is damaged.	Replace the nozzle.
	The nozzle is partially clogged.	Clean the nozzle. See <i>Cleaning</i> .
The power wand sprayer shuts off abruptly.	The power wand sprayer has reached its maximum thermal limit.	Allow the power wand sprayer to cool down.
	The power wand sprayer is out of charge. To maximize the life of the power wand sprayer, it is designed to shut off abruptly when the charge is depleted.	Plug in the power wand sprayer and allow it to charge.
The power wand sprayer does not charge.	The charger is not plugged in.	Plug the charger into a working outlet.
	The surrounding air temperature is too hot or too cold.	Move the power wand sprayer to a surrounding air temperature of above 40° F (4.5° C) or below 104° F (40° C).
	The charger is plugged into a damaged outlet.	Check that outlet is functioning.
	Red light continues blinking on power wand sprayer (battery temperature too high for safe charging).	Allow power wand sprayer to cool.
	Red and green lights blink alternately on power wand sprayer (cannot be charged).	Replace power wand sprayer.



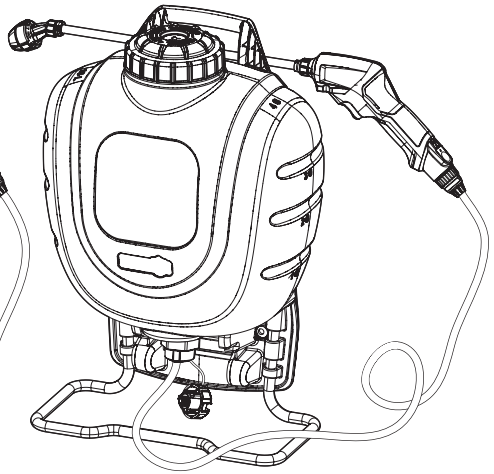
www.thefountainheadgroup.com



MANUEL D'INSTRUCTIONS



Pulvérisateur à dos compact de 2 gallons avec lance électrique rechargeable (190797)



Pulvérisateur à dos de 4 gallons avec lance électrique rechargeable (Modèle non disponible)

Ne retournez pas ce produit au magasin.
Pour obtenir de l'aide, des renseignements ou des pièces, communiquez avec nous :



THE FOUNTAINHEAD GROUP

Craftsmanship. Innovation. Commitment

www.thefountainheadgroup.com

800 311-9903 | info@thefgi.com

23 Garden St. New York Mills, NY, 13417



⚠ AVERTISSEMENT

Lire et comprendre entièrement ce manuel avant d'utiliser ce produit.

Si ces consignes ne sont pas suivies, cela pourrait entraîner la mort ou des blessures graves.

TABLE DES MATIÈRES

CONSIGNES DE SÉCURITÉ IMPORTANTES	20
<i>Définitions</i>	20
SÉCURITÉ RELATIVE AUX SUBSTANCES CHIMIQUES	20
UTILISATION SÉCURITAIRE DU PULVÉRISATEUR	20
<i>Consignes de sécurité supplémentaires</i>	21
<i>Directives de sécurité importantes pour tous les chargeurs de batteries</i>	21
<i>Consignes de sécurité importantes pour pulvérisateur de lance électrique</i>	22
<i>Mode d'emploi et entretien de pulvérisateur de lance électrique</i>	22
CONTENU DU PAQUET DE L'EMBALLAGE	23
ASSEMBLAGE	23
BUSE OPÉRATIONNELLE 3-EN-1	23
<i>Rotation</i>	23
<i>Paramètres de buse 3-en-1</i>	23
<i>Fixation de l'ensemble du flexible au réservoir</i>	24
<i>Fixation de l'assemblage du flexible à la lance électrique</i>	24
<i>Fixation de la rallonge de la lance</i>	24
<i>Fixation de la buse</i>	24
<i>Fixation du pulvérisateur de lance électrique au capuchon RTU</i>	24
UTILISATION	25
<i>Réparation</i>	25
<i>Chargement de pulvérisateur de lance électrique</i>	25
<i>Système de protection électronique</i>	25
<i>Remplissage du pulvérisateur</i>	26
<i>Voyant de charge de la batterie</i>	27
<i>Pulvérisation</i>	27
NETTOYAGE	27
CLIP DE RANGEMENT HORIZONTAL POUR LANCE	28
INSTALLATION DU BOUCHON AVEC ATTACHE	28
ENTREPOSAGE	29
TRANSPORT	29
ENTRETIEN	29
<i>Réparations</i>	29
<i>Remplacement du harnais</i>	29
<i>Entretien de la buse</i>	29
<i>Entretien du capuchon et du panier-filtre</i>	30
<i>Entretien du filtre intérieur du réservoir</i>	30
<i>Entretien du raccord du flexible</i>	31
CODE QR	31
<i>Pulvérisateur à dos compact de 2 gallons avec lance électrique rechargeable</i>	31
FOIRE AUX QUESTIONS	31
NUMÉROS DE BREVETS	31
PIÈCES DE RECHANGE	32
SPÉCIFICATIONS	32
GARANTIE LIMITÉE DE UN AN	32
GUIDE DE DÉPANNAGE	33

CONSIGNES DE SÉCURITÉ IMPORTANTES

Définitions

- ▲ **DANGER** : Indique une situation dangereuse qui, si elle n'est pas évitée, causera la mort ou des blessures graves.
 - ▲ **AVERTISSEMENT** : Indique une situation dangereuse qui pourrait entraîner la mort ou des blessures graves si elle n'est pas évitée.
 - ▲ **ATTENTION** : Indique une situation dangereuse qui pourrait entraîner des blessures légères ou de gravité moyenne si elle n'est pas évitée.
- AVIS** : Indique des renseignements importants à prendre en considération, sans rapport avec un danger (p. ex., messages liés à des dégâts matériels).

- ▲ **AVERTISSEMENT** : L'UTILISATION DE PULVÉRISATEURS ÉLECTRIQUES IMPLIQUE DE RESPECTER DES PRÉCAUTIONS DE BASE OBLIGATOIRES, NOTAMMENT :
 - Lire toutes les directives avant d'utiliser le pulvérisateur.
 - Pour réduire les risques de blessures, une bonne supervision est nécessaire lorsqu'un appareil est utilisé près d'enfants.
 - Utiliser seulement les accessoires recommandés par le fabricant ou vendus par celui-ci.
 - Pour les pulvérisateurs rechargeables, utilisez uniquement le chargeur fourni par le fabricant pour la recharge.

SÉCURITÉ RELATIVE AUX SUBSTANCES CHIMIQUES

- ▲ **DANGER** : RISQUE DE DÉCÈS, DE BLESSURES GRAVES ET DE DOMMAGES MATÉRIELS DÉCOULANT DE L'UTILISATION D'UNE SUBSTANCE CHIMIQUE OU D'UN MÉLANGE INAPPROPRIÉ.
 - Ne jamais utiliser des substances inflammables ou combustibles chimiques dans ce pulvérisateur. Pulvériser des substances chimiques combustibles ou inflammables peut créer des vapeurs combustibles qui pourraient s'enflammer et créer une explosion.
 - Utiliser seulement des substances chimiques conçues pour la pulvérisation. Certaines substances chimiques peuvent créer une atmosphère toxique ou d'autres atmosphères dangereuses lorsqu'elles sont pulvérisées.
 - Pour un mélange approprié et une application sécuritaire, toujours respecter les directives du fabricant concernant les substances chimiques et la fiche signalétique relative aux substances chimiques.

UTILISATION SÉCURITAIRE DU PULVÉRISATEUR

- ▲ **AVERTISSEMENT** : RISQUE DE BLESSURES ET DE DOMMAGES MATÉRIELS DÉCOULANT D'UNE EXPOSITION À UNE SUBSTANCE CHIMIQUE.
- ▲ **AVERTISSEMENT** : NE PAS EXPOSER À LA PLUIE OU RANGER À L'EXTÉRIEUR.
 - Lire et comprendre tout le manuel d'instructions avant d'utiliser ce pulvérisateur.
 - Suivre toutes les directives et les précautions de ce manuel d'instructions lors de l'utilisation de ce pulvérisateur.
 - Lire et suivre toutes les instructions et précautions sur l'étiquette du fabricant des substances chimiques qui seront utilisées dans ce pulvérisateur.
 - Utiliser l'équipement de protection individuelle (EPI) approprié comme recommandé par le fabricant de la substance chimique ou consulter la fiche signalétique de la substance chimique utilisée. L'EPI comprend au moins des lunettes de sécurité, des gants et des vêtements de protection. Ne pas utiliser l'EPI approprié pourrait entraîner une exposition à la substance chimique par contact avec la peau ou les yeux, l'inhalation ou autres.
 - Après l'assemblage initial, le rangement à long terme ou tout autre événement possiblement dommageable comme une chute, inspecter toujours le pulvérisateur pour y détecter tout dommage et effectuer un test avec de l'eau pure afin de vérifier qu'il fonctionne normalement. Avant d'utiliser le pulvérisateur avec une substance chimique, s'assurer que toutes les connexions sont bien serrées et qu'il n'y a pas de fuite, également que le flexible n'est pas endommagé.
 - Toujours inspecter le flexible et toutes ses connexions avant chaque utilisation. Un flexible endommagé ou qui n'est pas bien fixé pourrait entraîner une décharge à pression élevée non contrôlée de la substance chimique.
 - Ne jamais utiliser de produits caustiques, d'eau de Javel, d'acides, d'eau chaude, de vinaigre ou de produits chimiques produisant de la pression dans ce pulvérisateur.
 - Ne jamais utiliser d'agent caustique, eau de javel, acides, eau chaude ou de substances chimiques produisant de la pression dans ce pulvérisateur.
 - Garder le pulvérisateur et toute substance chimique hors de la portée des enfants ou des animaux de compagnie.
 - N'utiliser le pulvérisateur que par temps calme (aucun vent ou mouvement de l'air) afin d'empêcher la substance chimique pulvérisée d'atterrir sur des surfaces non ciblées.
 - Ne jamais entreposer des substances chimiques dans le pulvérisateur.

- Entreposer ou éliminer les substances chimiques non utilisées selon les directives du fabricant de la substance chimique en raison des dommages possibles à l'environnement s'il advenait un déversement ou une fuite, ou consulter les critères de mise au rebut indiqués sur la fiche signalétique.
- Nettoyer et rincer le pulvérisateur après chaque utilisation pour éviter une exposition non prévue à une substance chimique et éviter la contamination lors d'applications suivantes.
- Entreposer le pulvérisateur dans un endroit chaud, sec et sans poussière, à l'écart de la lumière directe du soleil.

▲ AVERTISSEMENT : RISQUE DE BLESSURE PERSONNELLE ET DE DOMMAGES MATÉRIELS DÉCOULANT D'UN BRIS OU D'UNE DÉCHARGE DE LIQUIDES CHIMIQUES À PRESSION ÉLEVÉE INCONTRÔLÉE.

- Ne jamais modifier le pulvérisateur par rapport à sa condition d'origine. Ne jamais chauffer ou modifier le flexible, l'écrou du flexible ou la barbelure. Le non-respect de cette consigne pourrait entraîner l'affaiblissement des composants et/ou des connexions.
- Utiliser seulement les pièces de rechange du fabricant. Les autres pièces de rechange ne sont pas compatibles avec ce pulvérisateur.
- Ne pas soulever, porter ni tirer le pulvérisateur par le flexible, pulvérisateur de lance électrique ou la rallonge de la lance. Le non-respect de cette consigne pourrait entraîner l'affaiblissement des composants et/ou des connexions. Transporter seulement par la poignée ou le harnais en s'assurant que les connexions sont solidement fixées avant de le soulever.
- Afin de réduire les risques de décharges électriques, ne pas mettre le pulvérisateur dans l'eau ou autre liquide. Ne pas mettre ni ranger le pulvérisateur à un endroit où il peut tomber ou être entraîné dans une baignoire ou un évier.

Consignes de sécurité supplémentaires

- ▲ AVERTISSEMENT :** Ne jamais modifier le pulvérisateur ou une de ses pièces. Des dommages ou blessures personnelles pourraient survenir.

Directives de sécurité importantes pour tous les chargeurs de batteries

- ▲ AVERTISSEMENT :** Lire tous les avertissements, les directives de sécurité ainsi que les mises en garde au sujet du chargeur et du produit. Le non-respect des avertissements et des directives peut entraîner des décharges électriques, des incendies et des blessures graves.
- Ne pas essayer de charger la batterie avec un autre chargeur qu'un chargeur de type USB-C.

- Ne pas exposer le chargeur à la pluie ou à la neige.
- Empêcher l'eau ou tout autre liquide d'entrer dans le chargeur.
- Lors de la déconnexion du chargeur, tirer la fiche au lieu de tirer sur le cordon. Cela réduira le risque de dommage à la fiche et au cordon.
- S'assurer que le cordon est situé à un endroit où personne ne marchera dessus, auquel cas, il pourrait être endommagé ou brisé.
- Ne pas utiliser une rallonge électrique à moins que cela ne soit absolument nécessaire. L'utilisation d'une rallonge électrique inappropriée pourrait entraîner un risque d'incendie, de décharges électriques ou d'électrocution.
- Lors de l'utilisation du chargeur à l'extérieur, toujours le placer dans un endroit sec et utiliser une rallonge électrique qui convient à une utilisation extérieure. L'utilisation d'une rallonge qui convient à une utilisation extérieure réduit le risque de décharges électriques.
- Pour des raisons de sécurité, une rallonge électrique doit être munie d'un fil de calibre approprié (AWG ou calibre américain normalisé des fils). Plus le numéro de calibre du fil est petit, plus le cordon sera lourd et aura donc une capacité plus élevée. Un cordon sous-dimensionné provoquera une chute de tension entraînant une perte de puissance et une surchauffe. Le tableau suivant présente les calibres appropriés à utiliser selon la longueur totale de toutes les rallonges électriques branchées ensemble et la plaque nominative de l'intensité. En cas de doute, utiliser le prochain calibre plus lourd.

Calibre minimum de l'ensemble de cordons

Volts		Longueur totale des cordons en pieds (mètres)			
120 V		25 (7,6)	50 (15,2)	100 (30,5)	150 (45,7)
Valeur nominale des ampères		Calibre américain normalisé des fils			
Plus de	Pas plus de				
0	6	18	16	16	14
6	10	18	16	14	12
10	12	16	16	14	12
12	16	14	12	Déconseillé	

- Ne pas faire fonctionner le chargeur dont le cordon ou la fiche est endommagé. Les remplacer immédiatement.
- Ne pas faire fonctionner le chargeur s'il a reçu un coup brusque, a été échappé ou autrement endommagé de quelque façon.
- Ne pas désassembler le chargeur.
- Le chargeur est conçu pour fonctionner sur une alimentation électrique domestique standard. Ne pas essayer de l'utiliser avec toute autre tension.

- Les matériaux étrangers de nature conductrice, tels que, mais sans s'y limiter, la poussière de meulage, les copeaux métalliques, la laine d'acier, le papier d'aluminium ou toute accumulation de particules métalliques, doivent être tenus à l'écart des cavités du chargeur.

Consignes de sécurité importantes pour pulvérisateur de lance électrique

▲ AVERTISSEMENT : Lire tous les avertissements, les directives de sécurité ainsi que les mises en garde au sujet du chargeur et du produit. Le non-respect des avertissements et des directives peut entraîner des décharges électriques, des incendies et des blessures graves.

- Ne pas charger ou utiliser le pulvérisateur de lance électrique dans des atmosphères explosives, telles que la présence de liquides, de gaz ou de poussières inflammables. Insérer ou retirer la batterie du chargeur peut mettre feu aux poussières ou aux vapeurs.
- Ne pas éblouir ou immerger l'appareil dans l'eau ou dans d'autres liquides.
- Ne pas laisser de l'eau ou tout autre liquide pénétrer dans le pulvérisateur de lance électrique.
- Ne pas entreposer ou utiliser l'outil et la batterie dans un endroit où la température pourrait atteindre 104 °F (40 °C) ou être plus élevée (comme dans une remise extérieure ou un bâtiment en métal l'été). Pour une durée de vie optimale de la batterie, ranger le pulvérisateur de lance électrique dans un endroit frais et sec.

REMARQUE : Ne jamais fixer l'interrupteur à détente en position « ON » (Marche).

- Ne pas incinérer le pulvérisateur de lance électrique même s'il est gravement endommagé ou complètement usé. La batterie interne peut exploser si jetée au feu. Des vapeurs et matériaux toxiques sont créés lorsque la batterie au lithium-ion est brûlée.
- Si le contenu de la batterie entre en contact avec la peau, laver immédiatement la zone concernée avec de l'eau et du savon doux. Si le liquide de la batterie entre dans l'œil, rincer l'œil ouvert pendant 15 minutes ou jusqu'à ce que l'irritation cesse. Si une assistance médicale est nécessaire, l'électrolyte de la batterie est composé d'un mélange de carbone organique et de sels de lithium.
- Le contenu des éléments de batteries ouverts peut provoquer une irritation respiratoire. Respirer de l'air frais. Si les symptômes persistent, consulter un médecin.
- Le liquide de la batterie peut être inflammable s'il est exposé à des étincelles ou une flamme.

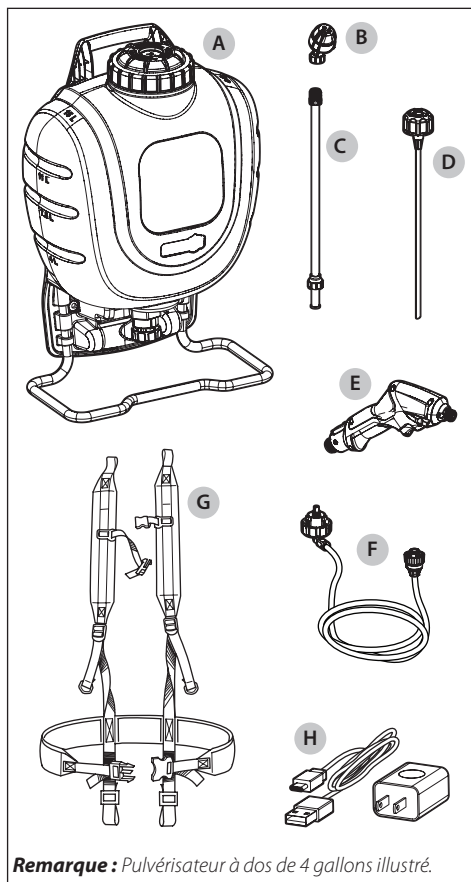
- Ne jamais essayer d'ouvrir pulvérisateur de lance électrique pour quelque raison que ce soit. Si le boîtier de pulvérisateur de lance électrique est fissuré ou endommagé, ne pas insérer le chargeur. Ne pas écraser, laisser tomber ou endommager pulvérisateur de lance électrique. Ne pas utiliser un pulvérisateur de lance électrique ou un chargeur qui a reçu un coup violent, est tombé, a été écrasé ou endommagé de quelque façon que ce soit (par exemple, percé d'un clou, frappé avec un marteau, piétiné).
- Les outils de lance électrique endommagés doivent être correctement recyclés.

Mode d'emploi et entretien de pulvérisateur de lance électrique

- Recharger seulement avec le chargeur précisé par le fabricant. Un chargeur adapté à un type de batterie peut créer un risque d'incendie lorsqu'il est utilisé avec une autre batterie.
- Éviter tout contact dans des conditions abusives; un liquide peut être éjecté de la batterie interne du pulvérisateur de lance électrique. Si un contact se produit par accident, rincer avec de l'eau. Si le liquide entre en contact avec les yeux, consulter également un médecin. Le liquide projeté par la batterie interne du pulvérisateur de lance électrique peut provoquer des irritations ou des brûlures.
- Ne pas utiliser un pulvérisateur de lance électrique qui est endommagé ou modifié. Les outils de lance électrique endommagés ou modifiés peuvent avoir un comportement imprévisible et provoquer un incendie, une explosion ou un risque de blessure.
- Ne pas exposer un pulvérisateur de lance électrique au feu ou à une température excessive. L'exposition au feu ou à des températures au-dessus de 265 °F (130 °C) peut entraîner une explosion.
- Respecter toutes les directives de chargement et ne pas charger la batterie ou l'outil lorsque la température est en dehors de la plage précisée dans les directives. Une recharge inappropriée ou à des températures en dehors de la plage précisée peut endommager la batterie et augmenter les risques d'incendie.

CONSERVER CES DIRECTIVES POUR UNE UTILISATION FUTURE

CONTENU DU PAQUET DE L'EMBELLAGE



- A** Assemblage du réservoir
- B** Buse 3-en-1
- C** Rallonge de lance
- D** RTU (Prêt à l'emploi) capuchon et tube plongeur
- E** Outil de lance électrique rechargeable
- F** Assemblage de flexible
- G** Harnais
- H** Chargeur et câble USB-C

Remarque : Pulvérisateur à dos de 4 gallons illustré.

ASSEMBLAGE

▲ **AVERTISSEMENT : RISQUE DE BLESSURES PERSONNELLES ET DE DOMMAGES MATÉRIELS DÉCOULANT D'UNE EXPOSITION À UNE SUBSTANCE CHIMIQUE.** Après l'assemblage initial, toujours inspecter le pulvérisateur pour détecter tout dommage et effectuer un test avec de l'eau pure pour vérifier qu'il fonctionne adéquatement. Avant d'utiliser le pulvérisateur avec une substance chimique, s'assurer que toutes les connexions sont bien serrées et qu'il n'y a pas de fuite, également que le flexible n'est pas endommagé.

▲ **AVERTISSEMENT :** Utiliser seulement les accessoires recommandés par le fabricant ou vendus par celui-ci.

▲ **AVERTISSEMENT :** Pour utilisation résidentielle seulement.

BUSE OPÉRATIONNELLE 3-EN-1

▲ **AVERTISSEMENT : Lisez les consignes de sécurité!** Toujours s'assurer que la détente n'est pas activée avant de tourner la buse pour changer de réglage de pulvérisation. S'assurer que les indicateurs de flèches sont alignés avant de pulvériser. Le non-respect de cette consigne peut entraîner des fuites.

Rotation

1. Faites tourner la buse 3-en-1 (B) jusqu'à la position de la buse souhaitée.
2. L'extrémité de la buse tombera en place lorsque les indicateurs de flèche (1) seront alignés. Voir Figure 1.

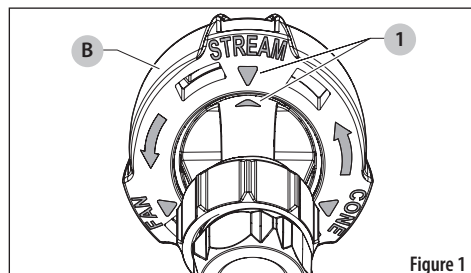


Figure 1

Paramètres de buse 3-en-1

Flux

- Pulvérisation localisée dans les massifs de fleurs, les entrées, et les patios et autour des arbres et des buissons.
- Pulvérisation des bordures le long des clôtures, entrées et voies piétonnières.

Ventilateur

- Remplacement de pelouse. Élimination de l'ancienne pelouse et des mauvaises herbes avant de planter une nouvelle pelouse.
- Préparation de vastes étendues avant de planter des jardins de plantes d'ornement et de légumes.

Cône

- Élimination des broussailles comme le sumac vénéneux, le sumac à feuille de chêne, la vigne japonaise et la ronce commune.
- Préparation des massifs de fleurs pour la plantation de plantes d'ornement et de légumes.

Fixation de l'ensemble du flexible au réservoir

▲ ATTENTION : *N'essayez pas de chauffer ou de modifier le flexible ou le raccord cannelé avant l'assemblage.*

1. Alignez les languettes du raccord cannelé avec le capuchon, poussez le raccord cannelé dans le capuchon jusqu'à ce qu'il s'arrête. Voir Figure 2.
2. Continuez à pousser le raccord cannelé dans le capuchon. Tournez le raccord cannelé dans le sens horaire pour le fixer au capuchon.

NOTE : *Ne pas utiliser d'outils pour serrer le raccord cannelé ou le capuchon.*

NOTE : *Retirer le tuyau flexible lorsqu'il n'est pas utilisé, vider le contenu du réservoir, puis fixer l'attache du bouchon. Voir Installation Du Bouchon Avec Attache.*

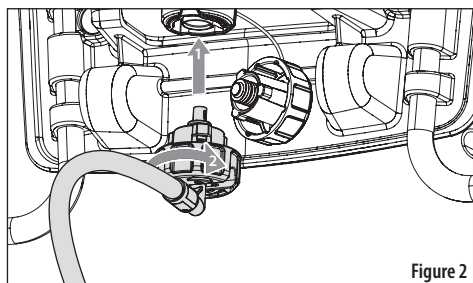


Figure 2

Fixation de l'assemblage du flexible à la lance électrique

Installez l'assemblage du flexible (F) sur la lance électrique. Tournez dans le sens des aiguilles d'une montre pour serrer. Voir Figure 3.

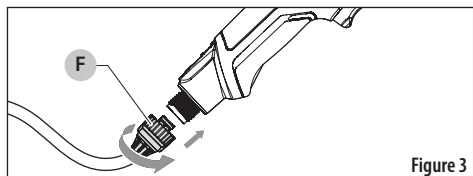


Figure 3

Fixation de la rallonge de la lance

Installez la rallonge de la lance (C) sur l'outil de la lance électrique (E). Tournez dans le sens des aiguilles d'une montre pour serrer. Voir Figure 4.

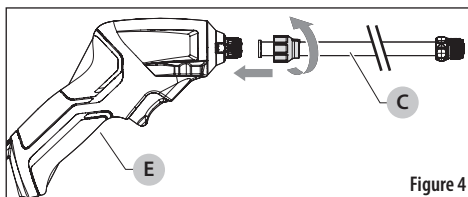


Figure 4

Fixation de la buse

Installez la buse 3-en-1 (B) sur l'extrémité de la rallonge de la lance (C). Tournez dans le sens des aiguilles d'une montre pour serrer. Voir Figure 5.

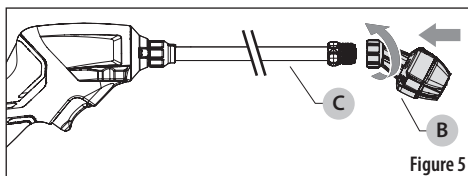


Figure 5

Fixation du pulvérisateur de lance électrique au capuchon RTU

Le pulvérisateur de lance électrique peut également être utilisé avec n'importe quelle bouteille ayant une ouverture de 38 mm en utilisant le capuchon RTU (prêt à l'usage) (D) inclus. Voir Figure 6.

▲ AVERTISSEMENT : *N'utiliser que des bouteilles qui sont correctement classées pour les produits chimiques utilisés dans l'application.*

1. Insérez le tube plongeur sur le capuchon RTU (D) dans la bouteille de votre choix. Tournez le capuchon dans le sens des aiguilles d'une montre jusqu'à ce qu'il soit fixé à la bouteille.
2. Alignez les languettes de raccord cannelé (F) avec le capuchon RTU (D), poussez le raccord cannelé dans le capuchon RTU jusqu'à ce qu'il s'arrête.
3. Continuez à pousser le raccord cannelé vers le bas. Tournez le raccord cannelé dans le sens des aiguilles d'une montre pour le fixer au capuchon RTU.

NOTE : *Ne pas utiliser d'outils pour serrer le raccord cannelé ou le capuchon RTU.*

NOTE : *Retirer le tuyau flexible lorsqu'il n'est pas utilisé.*

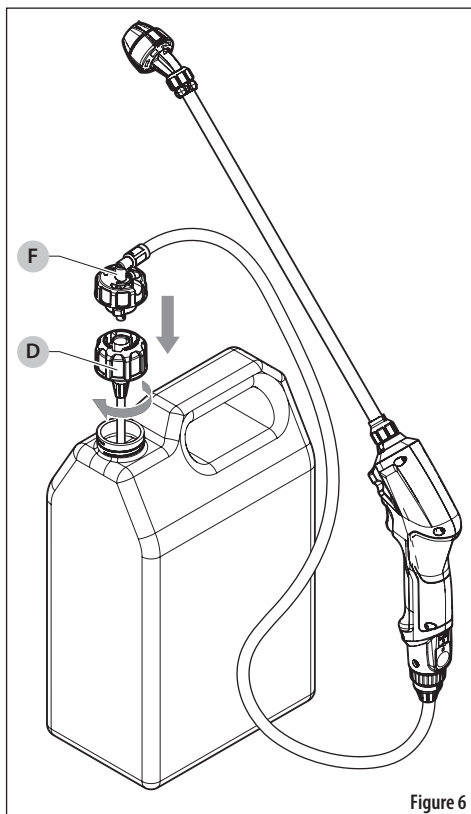


Figure 6

UTILISATION

▲ AVERTISSEMENT : RISQUE DE BLESSURES PERSONNELLES DÉCOULANT D'UNE EXPOSITION À UNE SUBSTANCE CHIMIQUE. Utiliser l'équipement de protection individuelle (EPI) approprié comme recommandé par le fabricant de la substance chimique ou consulter la fiche signalétique de la substance chimique utilisée. L'EPI comprend au moins des lunettes de sécurité, des gants et des vêtements de protection.

▲ AVERTISSEMENT : Pour réduire le risque de blessures graves, mettre l'appareil hors tension avant d'effectuer tout réglage ou de retirer/d'installer des accessoires. Une mise en marche accidentelle de l'appareil peut causer des blessures.

AVIS : Le pulvérisateur de lance électrique n'est pas complètement chargé lorsqu'il sort de la boîte. Avant d'utiliser pulvérisateur de lance électrique et le chargeur, lire les directives de sécurité ci-dessous et suivre ensuite les procédures de chargement décrites.

Réparation

- N'utiliser que des pièces de rechange identiques fournies par le fabricant. Cela permet de garantir la sécurité de pulvérisateur de lance électrique.
- Ne jamais réparer des outils de lance électrique endommagés. L'entretien des outils de lance électrique ne doit être effectué que par le fabricant ou des prestataires de services agréés.

Chargement de pulvérisateur de lance électrique

▲ AVERTISSEMENT : Ne pas charger le pulvérisateur de lance électrique dans des températures extrêmes. Il est recommandé de le charger pulvérisateur de lance électrique à des températures ambiantes comprises entre 32-104 °F (0-40 °C).

Pour charger le pulvérisateur de lance électrique :

1. Branchez le chargeur (1) dans une prise appropriée.
2. Assurez-vous que le câble USB-C (2) est entièrement inséré dans le chargeur.
3. Insérez l'autre extrémité du câble USB-C (3) dans le port de charge situé au-dessus de bouton d'alimentation sur la poignée du pulvérisateur de lance électrique. Voir Figure 7.
4. Le chargement est terminé lorsque le voyant vert demeure allumé et cesse de clignoter. Pour assurer une durée de vie de batterie maximale, celle-ci devrait être chargée au moins tous les 3 mois lorsqu'elle n'est pas utilisée.

NOTE : Le chargeur ne chargera pas une lance électrique dont la batterie est défectueuse, ce qui peut être indiqué par le fait que le voyant reste éteint, que les voyants rouge et vert clignotent alternativement ou qu'un voyant rouge clignote.

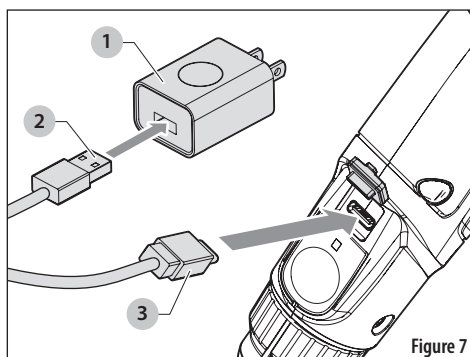


Figure 7

Système de protection électronique

Les outils Li-ion sont conçus avec un système de protection électronique qui protège la batterie contre la surcharge, la surchauffe ou la décharge profonde.

Remarques importantes quant au chargement

Le chargeur et la lance électrique peuvent devenir chauds au toucher pendant la charge. Cela est normal et ne veut pas dire qu'il y a un problème. Pour faciliter le refroidissement de la lance électrique après utilisation, évitez de placer le chargeur ou pulvérisateur de lance électrique dans un environnement chaud, par exemple dans une remise métallique ou une remorque non isolée.

Si le pulvérisateur de lance électrique ne se recharge pas correctement :

- Vérifiez le fonctionnement du réceptacle en y branchant une lampe ou un autre appareil.
- Vérifiez si le réceptacle est connecté à un interrupteur d'éclairage qui coupe l'alimentation lorsque la lumière est éteinte.
- Si les problèmes de charge persistent, remplacez pulvérisateur de lance électrique ou le chargeur. Voir le *Guide de dépannage, Pulvérisateur de lance électrique ne se charge pas correctement*.

Vous pouvez recharger un pulvérisateur de lance électrique partiellement déchargé à tout moment sans effet négatif sur la batterie interne.

Remplissage du pulvérisateur

▲ DANGER : RISQUE DE DÉCÈS, DE BLESSURES GRAVES ET DE DOMMAGES MATÉRIELS DÉCOULANT DE L'UTILISATION D'UNE SUBSTANCE CHIMIQUE OU D'UN MÉLANGE INAPPROPRIÉ.

- Ne jamais utiliser des substances inflammables ou combustibles chimiques dans ce pulvérisateur. Pulvériser des substances chimiques combustibles ou inflammables peut créer des vapeurs combustibles qui pourraient s'enflammer et créer une explosion.
- Utiliser seulement des substances chimiques conçues pour la pulvérisation. Certaines substances chimiques peuvent créer une atmosphère toxique ou d'autres atmosphères dangereuses lorsqu'elles sont pulvérisées.
- Pour un mélange approprié et une application sécuritaire, toujours respecter les directives du fabricant concernant les substances chimiques et la fiche signalétique relative aux substances chimiques.

▲ AVERTISSEMENT : Avant chaque utilisation, vérifier que le réservoir, le flexible, l'outil à main, la rallonge et tous les raccords ne sont pas endommagés. Une connexion de flexible endommagée ou mal fixée peut occasionner une exposition accidentelle des substances chimiques pressurisées, entraînant des blessures graves ou des dommages matériels.

Avant de commencer

Effectuez un test du pulvérisateur avec de l'eau pure avant d'utiliser des substances chimiques, avant la première utilisation et après un entreposage prolongé.

Placez le pulvérisateur sur une surface stable et s'assurer qu'il est à l'arrêt.

Procédure de remplissage

1. Dévissez le capuchon (1) et placez-le sur une surface propre où il ne risque pas d'accumuler de la saleté, de la poussière, des brins d'herbe ou d'autres débris. Voir *Figure 8*.
2. Enlevez le panier-filtre (2) et enlever tout débris. Placez le panier-filtre (2) sur une surface propre où la saleté, la poussière, les résidus de coupe de pelouse ou autres débris ne s'y colleront pas.
3. Inspectez l'intérieur du réservoir pour en nettoyer les débris, le cas échéant.
4. Assurez-vous que le filtre intérieur du réservoir (3) est en place, que la maille est intacte et qu'il n'est pas bouché avec des débris. Voir *Entretien du filtre intérieur du réservoir*.
5. Suivez les directives du fabricant de la substance chimique pour la préparation de la substance. Remplissez le pulvérisateur en versant le liquide dans l'ouverture du haut à travers le panier-filtre jusqu'à l'atteinte de la quantité désirée selon les traits de gradation sur le côté du réservoir.
6. Nettoyez tout déversement, éclaboussure ou débordement de liquide sur le pulvérisateur.

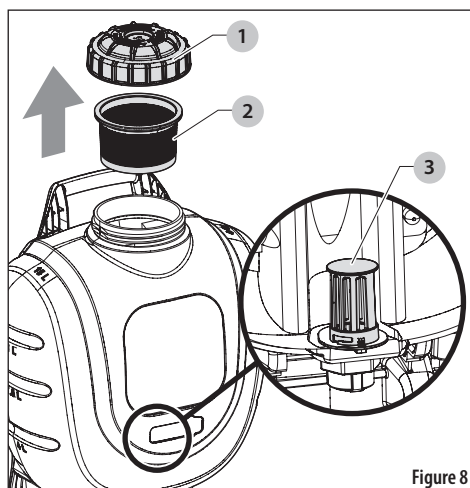
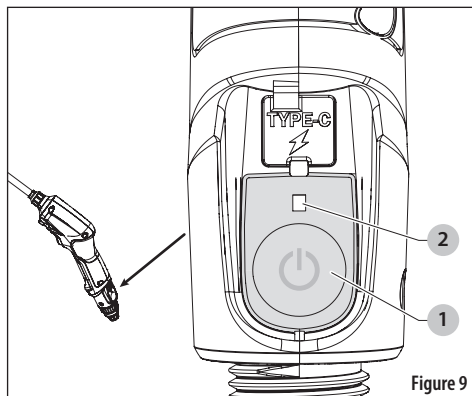


Figure 8

Voyant de charge de la batterie

1. Poussez le bouton d'alimentation (1) en position « ON » (Marche). Un voyant (2) situé au-dessus de l'interrupteur s'allume pour indiquer le niveau de la batterie. Voir Figure 9.
2. Voyants indicateurs de la batterie :
 - a. Voyant vert : charge suffisante
 - b. Voyant jaune : charge moyenne
 - c. Voyant rouge : batterie faible, doit être chargée

NOTE : Lorsque le voyant rouge s'active, le pulvérisateur peut encore pulvériser environ un gallon, selon le réglage de la buse.



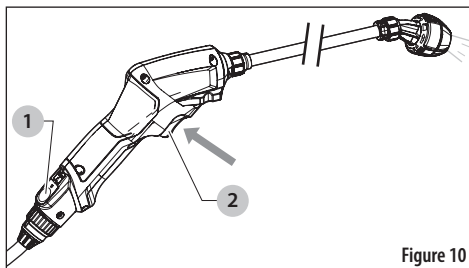
Pulvérisation

- ▲ AVERTISSEMENT : RISQUE DE BLESSURES PERSONNELLES ET DE DOMMAGES MATÉRIELS CAUSÉS PAR LA PULVÉRISATION NON INTENTIONNELLE DE SUBSTANCES CHIMIQUES.** S'assurer que la détente de pulvérisateur de lance électrique n'est pas engagée avant de mettre le pulvérisateur sous tension. Une fois sous tension, la pompe pulvérisera si la détente de l'outil à main est enfoncée.

AVIS : RISQUE DE DÉGÂTS MATÉRIELS. N'utiliser le pulvérisateur que par temps calme (aucun vent ou mouvement de l'air) afin d'empêcher la substance chimique pulvérisée d'atterrir sur des surfaces non ciblées.

1. Poussez le bouton d'alimentation (1) en position « ON » (Marche). Le voyant au-dessus de bouton s'allume. Voir Figure 10.
2. Orientez pulvérisateur de lance électrique dans la direction de pulvérisation souhaitée et appuyez sur la détente (2).
3. Pour éteindre pulvérisateur de lance électrique, poussez le bouton d'alimentation (1) en position « OFF » (Arrêt). Le voyant au-dessus du bouton s'éteint.

4. Retirez toujours les produits chimiques et nettoyez pulvérisateur de lance électrique lorsque vous avez terminé. Voir les sections *Nettoyage* et *Entreposage* de ce manuel.



NETTOYAGE

- ▲ AVERTISSEMENT :** Toujours relâcher la pression de l'outil avant de nettoyer. Le désassemblage du pulvérisateur qui est encore pressurisé peut entraîner l'éjection de composants à une vitesse élevée.
- ▲ AVERTISSEMENT : RISQUE DE BLESSURES DÉCOULANT D'UNE EXPOSITION À UNE SUBSTANCE CHIMIQUE.** Utiliser l'équipement de protection individuelle (EPI) approprié comme recommandé par le fabricant de la substance chimique ou consulter la fiche signalétique de la substance chimique utilisée. L'EPI comprend au moins des lunettes de sécurité, des gants et des vêtements de protection.
- ▲ AVERTISSEMENT : RISQUE DE DOMMAGE AUX COMPOSANTS INTERNES.** Le défaut de rincer correctement le pulvérisateur risque de mener à l'accumulation de produits chimiques qui peuvent obstruer ou endommager les filtres, la lance électrique, la rallonge de la lance et la buse. Les résidus de substances chimiques peuvent également contaminer les applications futures. Laisser des substances chimiques liquides dans le pulvérisateur lorsqu'il n'est pas utilisé peut entraîner une usure prématurée. Ne jamais entreposer le pulvérisateur s'il contient des substances chimiques dans n'importe quelle de ses pièces.

1. Assurez-vous que pulvérisateur de lance électrique (E) est éteint et retirez la lance électrique. Voir Figure 11.
2. Enlevez le capuchon (1) et le panier filtre (2), et videz ce qui reste de substance chimique du réservoir dans un contenant qui convient pour une utilisation future ou mettez-le au rebut selon les directives du fabricant de la substance chimique.
3. Utilisez de l'eau propre pour rincer à fond et videz le réservoir jusqu'à ce que toute substance chimique et tout résidu soient éliminés.

4. Ajoutez environ 1 litre d'eau propre dans le réservoir.
5. Réinstallez le flexible et la lance électrique (E) et appuyez sur le bouton d'alimentation (3) pour mettre le pulvérisateur en position « ON » (Marche).
6. Faites passer de l'eau dans le flexible, la lance électrique et la buse pendant au moins 30 secondes pour les rincer. Ne pas rincer ces composants peut faire en sorte que des résidus de substances chimiques s'accumulent et bouchent ou endommagent les composants. Après une utilisation intense, rincer les buses pourrait ne pas être suffisant pour déloger les résidus. Il peut être nécessaire de tremper la buse ou de la nettoyer à l'aide d'une petite brosse.
7. Videz toute l'eau qui reste dans le réservoir; continuez ensuite à pulvériser jusqu'à ce qu'il n'y ait plus d'eau qui sorte de la buse. Cela indique que la majeure partie de l'eau a été retirée du système.
8. Appuyez sur le bouton d'alimentation pour éteindre pulvérisateur de lance électrique.
9. Appuyez sur la détente de la lance électrique pour libérer tout liquide restant dans le flexible.
10. Laissez le pulvérisateur sécher. Pour cela, il faut retirer le flexible, l'outil de lance flexible, le capuchon et le panier-filtre et suspendre le pulvérisateur à l'envers pour le laisser se vider.
11. Une fois que le pulvérisateur est sec, retournez-le à l'endroit et réinstallez le bouchon (1) et le panier-filtre (2) pour empêcher les débris de pénétrer dans le réservoir.

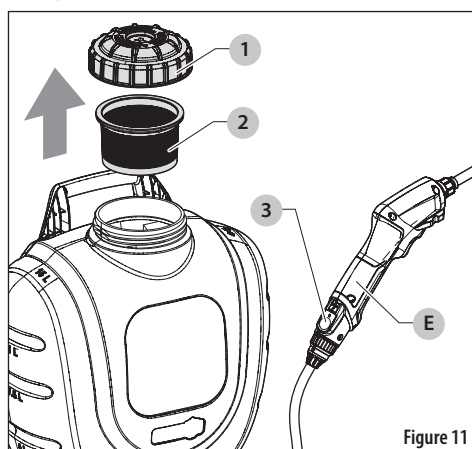


Figure 11

CLIP DE RANGEMENT HORIZONTAL POUR LANCE

Des clips de rangement horizontaux (1) sont fixés à l'arrière du réservoir et permettent d'y fixer la lance. Les clips de rangement horizontaux de la lance sont utiles pour l'entreposage, car ils réduisent l'espace requis autour du pulvérisateur. Voir Figure 12.

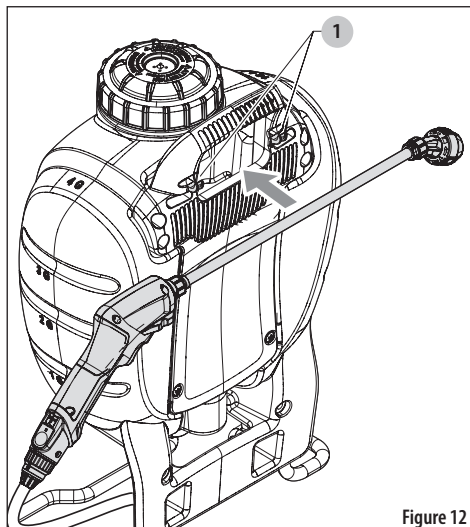


Figure 12

INSTALLATION DU BOUCHON AVEC ATTACHE

Le bouchon avec attache doit être installé sur le capuchon du réservoir lorsque le pulvérisateur est entreposé.

1. Aligner les languettes du bouchon (1) avec le capuchon du réservoir (2) et enfoncer le capuchon jusqu'à ce qu'il s'arrête.
2. Tourner le bouchon dans le sens des aiguilles d'une montre pour le fixer au capuchon. Voir Figure 13.

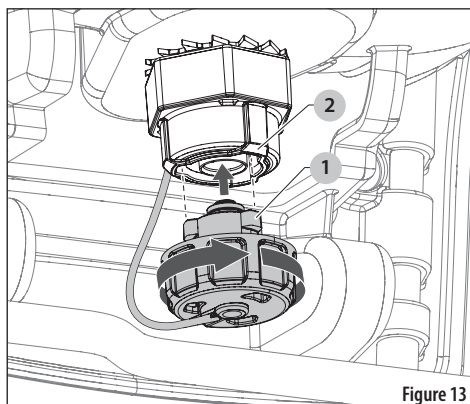


Figure 13

ENTREPOSAGE

Rangez le pulvérisateur à l'intérieur, dans un endroit chaud et sec, à l'abri de la lumière directe du soleil et loin de toute source d'humidité ou de chaleur intense. N'entrez pas le pulvérisateur où les températures descendent sous 32°F ou 0°C. Si vous laissez l'eau geler à l'intérieur du pulvérisateur, vous risquez d'endommager la lance électrique, la rallonge de la lance ou d'autres composants, et d'annuler la garantie du pulvérisateur.

TRANSPORT

NOTE : Pulvérisateur de lance électrique contient une batterie Li-ion interne et ne doit pas être placé dans les bagages enregistrés dans les avions et doit être correctement protégé dans les bagages à main.

ENTRETIEN

▲ **AVERTISSEMENT :** Pour réduire le risque de blessures graves, mettre l'appareil hors tension avant d'effectuer tout réglage ou de retirer ou d'installer des accessoires. Une mise en marche accidentelle peut entraîner des blessures.

▲ **AVERTISSEMENT : RISQUE DE BLESSURES PERSONNELLES ET DE DOMMAGES MATÉRIELS DÉCOULANT D'UNE EXPOSITION À UNE SUBSTANCE CHIMIQUE.** Toujours s'assurer que tous les produits chimiques ont été retirés du pulvérisateur et que le pulvérisateur a été nettoyé avant d'effectuer tout entretien.

Réparations

Pulvérisateur de lance électrique et le chargeur ne sont pas réparables. Il n'y a pas de pièces réparables à l'intérieur de pulvérisateur de lance électrique ou du chargeur.

Remplacement du harnais

1. Pour chacun des côtés du harnais (G), enlevez les petits clips en plastique (1) des deux boucles des courroies d'épaules et enfiler chaque boucle dans les emplacements prévus à cet effet en haut de la poignée du pulvérisateur. Voir Figure 14.
2. Remplacez les pinces (1) à travers les boucles et tirer sur les courroies pour bien fixer les deux courroies du harnais (G) en place.

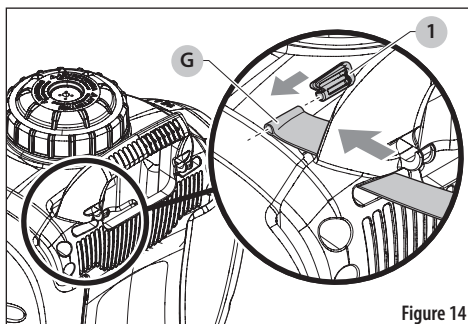


Figure 14

3. Pour les courroies du bas, enlevez les courroies de la portion supérieure des boucles (3) et placez-les autour du pied (2) en commençant par le passer en dessous. Voir Figure 15.
4. Passez la courroie dans la première section de la boucle (3). Ensuite, passez-la dans l'autre section de la boucle (2) pour resserrer. Ajustez l'épaulière et la longueur de la courroie pour obtenir un soutien confortable.

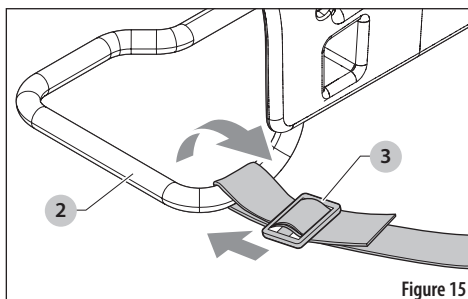


Figure 15

Entretien de la buse

- ▲ **AVERTISSEMENT :** Avant d'effectuer l'entretien, toujours dépressuriser le pulvérisateur en mettant le pulvérisateur en position « OFF » (Arrêt) et en pressant la détente pour pulvériser jusqu'à ce que l'écoulement de liquide cesse.
- Si la buse est bouchée, enlevez et désassemblez l'assemblage de la buse.
 - Nettoyez les ouvertures de toute obstruction ou de tout résidu.
 - N'utilisez pas un outil pointu qui pourrait égratigner ou endommager les buses, car les différents jets pourraient être affectés.
 - Ne frappez pas la buse contre les surfaces à déboucher.

Entretien du capuchon et du panier-filtre

- Vérifiez le capuchon (1) et le joint (3) du panier-filtre (2) pour vous assurer qu'ils ne présentent pas de signes d'usure et qu'ils fonctionnent correctement. Voir Figure 16.
- Remplacez-les, le cas échéant.

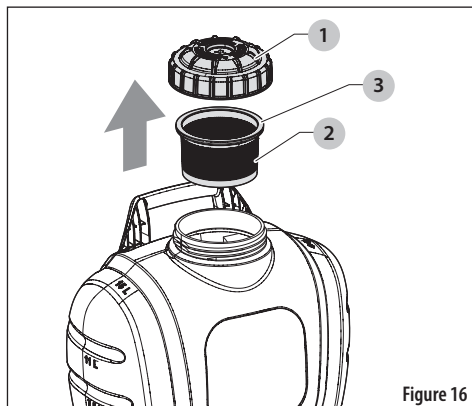


Figure 16

Entretien du filtre intérieur du réservoir

▲ ATTENTION : RISQUE DE DOMMAGE AUX COMPOSANTS INTERNES. Ne pas faire fonctionner le pulvérisateur sans que le filtre intérieur du réservoir ne soit installé adéquatement. Sinon, des débris pourraient entrer dans la pompe et l'engorger ou l'endommager.

1. Assurez-vous que le pulvérisateur est réglé sur ARRÊT.
2. Enlevez le capuchon et le panier-filtre. Rincez avec de l'eau propre pour enlever tout débris.
3. Placez le panier-filtre et le capuchon sur une surface propre où la saleté, la poussière, les résidus de coupe de pelouse ou autres débris ne s'y colleront pas.
4. Versez tout liquide provenant du réservoir dans un contenant approprié pour une utilisation future ou mettez aux rebuts selon les directives du fabricant de la substance chimique.
5. Rincez et videz le réservoir pour enlever tout débris, résidu ou saleté.
6. Atteignez le filtre à l'intérieur du réservoir (1) situé au bas du réservoir et retirez-le délicatement. Voir Figure 17.
7. Tournez le filtre intérieur du réservoir d'environ 1/8 de tour dans le sens horaire jusqu'à ce qu'il arrête de tourner et tirez vers le haut pour l'enlever du réservoir.

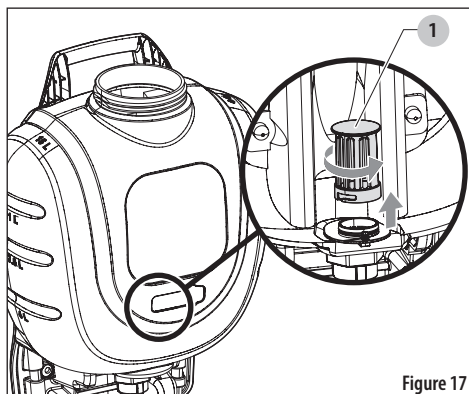


Figure 17

8. Nettoyez soigneusement le filtre en rinçant de l'intérieur vers l'extérieur. Assurez-vous de ne pas déchirer ou endommager la maille. Tout endommagement de la maille peut permettre aux débris de pénétrer dans la pompe interne de pulvérisateur de lance électrique et provoquer un engorgement ou un endommagement de la pompe.

NOTE : Si le filtre du réservoir est endommagé ou trop sale pour être nettoyé, le remplacer par un nouveau filtre.

9. Pour réinstaller le filtre intérieur du réservoir, replacez-le doucement sur la base du filtre au bas du réservoir et tournez-le lentement jusqu'à ce que les languettes de sûreté à la base du filtre soient alignées avec les rainures dans le filtre. Le filtre à l'intérieur du réservoir s'abaissera d'environ 1/8 po (3 mm) lorsque les rainures sont alignées.
10. Poussez vers le bas sur le filtre intérieur du réservoir jusqu'à ce qu'il s'arrête, environ un autre 1/4 po (6 mm), tournez ensuite le filtre intérieur du réservoir d'environ 1/8 po (3 mm) dans le sens horaire jusqu'à ce qu'il s'arrête. Voir Figure 18.

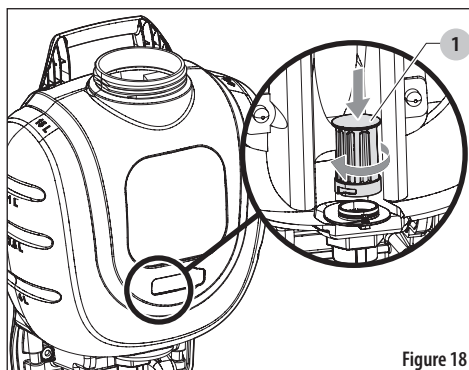


Figure 18

Entretien du raccord du flexible

Détachez le flexible du capuchon du réservoir. Poussez le raccord cannelé dans le capuchon, tournez dans le sens inverse des aiguilles d'une montre et retirez le raccord cannelé du capuchon. Retirez l'eau restante du flexible. Voir Figure 19.

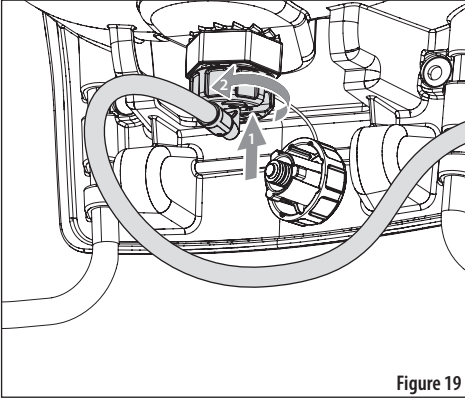


Figure 19

CODE QR

Une étiquette de code QR se trouve sur le dessus du sac à dos, à l'intérieur de la poignée de transport. Balayer le code QR pour obtenir des renseignements sur le produit. En balayant le code QR, vous serez redirigé vers la page produit du pulvérisateur à dos Power Wand Lithium-ion, où vous pourrez acheter des pièces de rechange, consulter le manuel d'utilisation, accéder à diverses vidéos et documents, et obtenir une assistance sur l'utilisation et le dépannage du pulvérisateur à dos. Voir Figure 20.

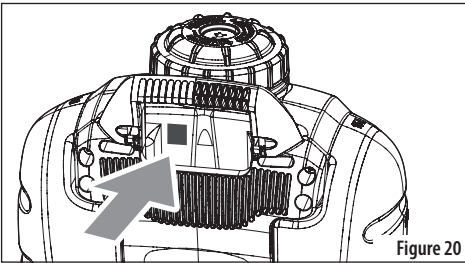
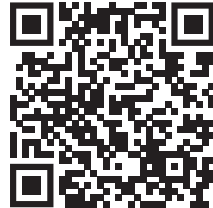


Figure 20

Pulvérisateur à dos compact de 2 gallons avec lance électrique rechargeable

Pour le manuel d'instructions et des informations supplémentaires.



<https://qrcodes.pro/xcsLOW190797>

Fabriqué en Chine

Distribué sous licence par :

The Fountainhead Group, Inc.
23 Garden Street
New York Mills, NY 13417 É.-U.

Télé. : (800) 311-9903

Courriel : info@TheFGI.com

www.TheFountainheadGroup.com

FOIRE AUX QUESTIONS

Voir <https://www.thefountainheadgroup.com/> pour la foire aux questions sur un produit spécifique.

NUMÉROS DE BREVETS

Voir <https://www.thefountainheadgroup.com/> pour obtenir les numéros de brevets précis pour ce produit.

PIÈCES DE RECHANGE

Numéro de pièce	Description
185561	Pulvérisateur de lance électrique et ensemble de chargement
185420	Tuyau de rechange 50 po
185571	USB-C, câble électrique de chargeur 1,8 m
185495	USB-C, 5V, Tête de chargeur 1.0A
182329	Buse 3-en-1 (rouge)
183055	Lance en poly 14 po
181564	Panier de filtration
184401	Capuchon de réservoir
185424	Assemblage de capuchon RTU (prêt à l'emploi) et tube plongeur
184194	Écran de pulvérisation

SPÉCIFICATIONS

Tension	3,6 V (nominal)
Intensité	1,5 A
Capacité de la batterie	2000 mAh
Durée de fonctionnement	120 minutes
Temps de charge	120 minutes
Pression de fonctionnement	4,4 PSI-20 PSI (selon le réglage de la buse)

GARANTIE LIMITÉE DE UN AN

Cette garantie limitée vous donne, en tant qu'acheteur initial du produit, des droits légaux spécifiques. Vous pouvez également avoir d'autres droits qui varient d'une province à l'autre.

The Fountainhead Group, Inc. (FGI) garantit à l'acheteur original du produit que chaque produit sera exempt de défauts de matériaux et de fabrication, dans des conditions normales d'utilisation et d'entretien, pendant une période d'un (1) an à compter de la date d'achat. FGI n'offre aucune autre garantie expresse, et toutes les garanties implicites, y compris les garanties d'aptitude et de qualité marchande, sont limitées à un (1) an à compter de la date d'achat.

Si le produit ne fonctionne pas comme prévu, veuillez appeler notre service à la clientèle au +1-800-311-9903 ou envoyer un courriel au info@thefgi.com. Pendant la période de garantie, FGI réparera ou remplacera toute pièce jugée défectueuse lors de notre examen. FGI se réserve le droit d'exiger le retour du produit défectueux avec la preuve d'achat pour établir une réclamation au titre de cette garantie. La période de garantie n'est pas prolongée si nous réparons ou remplaçons le produit. Tous les frais d'expédition sont la responsabilité du client.

Cette garantie limitée ne couvre pas les dommages ou les défauts découlant du transport, du stockage, de l'entretien, d'une utilisation inappropriée, d'une négligence, d'un accident, de l'usure normale, de modifications ou d'une utilisation ou de toute autre activité ou action non conforme au manuel d'instructions. Toutes les pièces considérées comme des pièces d'usure ne font pas partie de la garantie limitée.

En aucun cas FGI ne sera tenu responsable des dommages accessoires, spéciaux, consécutifs ou punitifs, ou des honoraires d'avocat, des dépenses, des pertes ou des retards qui seraient la conséquence d'un dommage, d'une défaillance ou d'une formation inadéquate sur le produit, sans toutefois se limiter aux réclamations pour perte de profits.

GUIDE DE DÉPANNAGE

S'ASSURER DE RESPECTER LES RÈGLES ET LES DIRECTIVES RELATIVES À LA SÉCURITÉ

Pour obtenir de l'aide avec votre produit, visiter notre site Web au www.thefountainheadgroup.com, ou appeler au 1 800 311-9903.

PROBLÈME	CAUSE POSSIBLE	SOLUTION
Le pulvérisateur de lance électrique ne s'allume pas.	Assurez-vous que pulvérisateur de lance électrique est chargé.	Faites charger pulvérisateur de lance électrique. Voir <i>Chargement de pulvérisateur de lance électrique</i> .
	Pulvérisateur de lance électrique peut avoir surchauffé.	Laissez refroidir pulvérisateur de lance électrique.
Le pulvérisateur de lance électrique s'allume (la pompe vrombit lorsqu'on appuie sur la détente) mais ne pulvérise pas.	Il n'y a pas de liquide dans le réservoir.	Ajoutez du liquide dans le réservoir. Voir <i>Remplissage du pulvérisateur</i> .
	La buse est bouchée.	Nettoyez la buse. Voir <i>Entretien de la buse</i> .
	Le filtre intérieur du réservoir est bouché.	Nettoyez le filtre intérieur du réservoir. Voir <i>Entretien du filtre intérieur du réservoir</i> .
	Pulvérisateur de lance électrique n'est pas amorcé.	Attendez au moins 30 secondes pour que la pompe s'amorce.
	Le flexible n'est pas connecté à pulvérisateur de lance électrique.	Raccordez le flexible à pulvérisateur de lance électrique et appuyez sur la détente pour amorcer pulvérisateur de lance électrique. Voir <i>Fixation de l'assemblage du flexible à la lance électrique</i> .
Le pulvérisateur de lance électrique s'allume mais ne pulvérise qu'à basse pression.	Pulvérisateur de lance électrique est bouché.	Remplacez pulvérisateur de lance électrique.
	La buse est bouchée.	Nettoyez la buse. Voir <i>Entretien de la buse</i> .
	Pulvérisateur de lance électrique est bouché.	Remplacez pulvérisateur de lance électrique.
	Le flexible n'est pas complètement en place au niveau de pulvérisateur de lance électrique ou du raccord du réservoir.	Débranchez et rebranchez les deux extrémités du flexible. Voir <i>Fixation de l'ensemble du flexible au réservoir</i> et <i>Fixation de l'assemblage du flexible à la lance électrique</i> .
	Le filtre intérieur du réservoir est bouché.	Nettoyez le filtre intérieur du réservoir. Voir <i>Entretien du filtre intérieur du réservoir</i> .

PROBLÈME	CAUSE POSSIBLE	SOLUTION
Le pulvérisateur de lance électrique ne s'amorce pas complètement.	Le pulvérisateur de lance électrique est bouché.	Remplacez le pulvérisateur de lance électrique.
	Le niveau du liquide dans le réservoir est bas	Ajoutez du liquide dans le réservoir. Voir <i>Remplissage du pulvérisateur</i> .
	Il y a des résidus ou des accumulations de produits chimiques dans le réservoir et/ou la pompe en raison d'un nettoyage inadéquat ou insuffisant.	Nettoyez le pulvérisateur. Voir <i>Nettoyage</i> . Au besoin, répétez avec un mélange d'eau tiède et de détergent doux. Laissez le mélange dans la pompe pendant au plus une heure avant de rincer. Remplacez le pulvérisateur de lance électrique, le cas échéant.
	Le filtre intérieur du réservoir est mal installé, n'est pas présent ou est endommagé permettant aux débris de pénétrer dans la pompe.	Nettoyez le pulvérisateur. Voir <i>Nettoyage</i> . Au besoin, répétez avec un mélange d'eau tiède et de détergent doux. Laissez le mélange dans la pompe pendant au plus une heure avant de rincer. Remplacez le pulvérisateur de lance électrique, le cas échéant.
Le flexible fuit au niveau du raccord du réservoir ou d'outil de lance électrique.	Le flexible n'est pas complètement en place au niveau de pulvérisateur de lance électrique ou du raccord du réservoir.	Débranchez et rebranchez les deux extrémités du flexible. Voir <i>Fixation de l'ensemble du flexible au réservoir</i> et <i>Fixation de l'assemblage du flexible à la lance électrique</i> .
	Le flexible est craqué, gonflé ou défectueux.	Remplacez le flexible.
La buse s'égoutte lorsque la détente n'est pas enfoncée.	La connexion est endommagée.	Remplacez le flexible, le réservoir ou le pulvérisateur de lance électrique.
	Il y a des saletés ou des débris dans pulvérisateur de lance électrique.	Nettoyez le flexible et le pulvérisateur de lance électrique.
	Le joint torique ou le joint d'étanchéité de pulvérisateur de lance électrique est endommagé.	Remplacez le flexible et le pulvérisateur de lance électrique.
L'extension de la lance ou l'embout de la buse fuit.	La détente n'est pas complètement enfoncée.	Vérifiez qu'il n'y a pas de débris entre la détente et le boîtier de la lance pour s'assurer que la détente est complètement enfoncée.
	Le joint torique est absent ou endommagé.	Remplacez le joint torique de l'extension de la lance ou de l'extrémité de la buse.
Le jet est faible.	La buse est endommagée.	Remplacez la buse.
	La buse est partiellement bouchée.	Nettoyez la buse. Voir <i>Nettoyage</i> .
Pulvérisateur de lance électrique s'arrête brusquement.	Pulvérisateur de lance électrique a atteint sa limite thermique maximale.	Laissez refroidir pulvérisateur de lance électrique.
	Pulvérisateur de lance électrique est en panne de charge. Pour maximiser la durée de vie de la batterie, elle est conçue pour arrêter brusquement de fonctionner lorsque la charge est épuisée.	Branchez le pulvérisateur de lance électrique et laissez-le se charger.

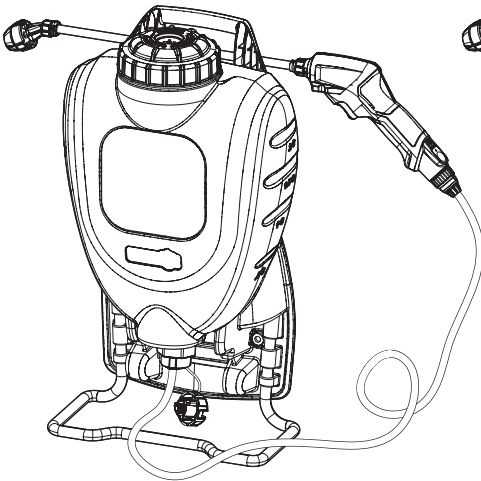
PROBLÈME	CAUSE POSSIBLE	SOLUTION
Le pulvérisateur de lance électrique ne se charge pas.	Le chargeur n'est pas branché.	Branchez le chargeur dans une prise qui fonctionne.
	La température ambiante est trop chaude ou trop froide.	Déplacez le pulvérisateur de lance électrique dans un endroit où la température de l'air ambiant est supérieure à 40 °F (4,5 °C) ou inférieure à 104 °F (40 °C).
	Le chargeur est branché dans une prise endommagée.	Vérifiez si la prise fonctionne.
	Un voyant rouge continue à clignoter sur le chargeur (la température de la batterie est trop élevée pour un chargement sécuritaire).	Laissez refroidir le pulvérisateur de lance électrique.
	Des lumières rouges et vertes clignotent alternativement sur pulvérisateur de lance électrique (ne peut pas être chargé).	Remplacez le pulvérisateur de lance électrique.



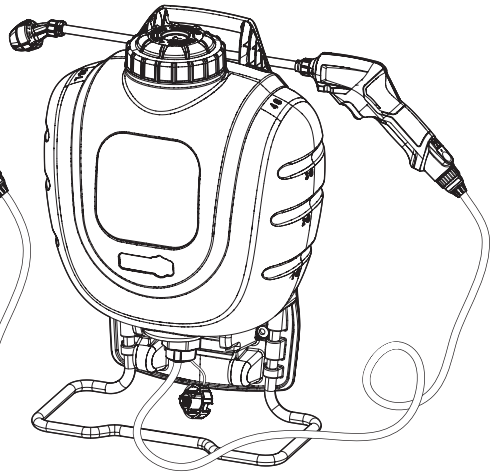
www.thefountainheadgroup.com



MANUAL DE INSTRUCCIONES



Pulverizador de mochila compacto de 2 galones con varilla eléctrica recargable (190797)



Pulverizador de mochila de 4 galones con varilla eléctrica recargable (Modelo no disponible)

No devuelva este producto a la tienda.
Para obtener ayuda, información o piezas,
comuníquese con:



Craftsmanship. Innovation. Commitment

www.thefountainheadgroup.com

(800) 311-9903 | info@thefgi.com

23 Garden St. New York Mills, NY, 13417



⚠ ADVERTENCIA

Lea y comprenda el manual antes de usar este producto.

El incumplimiento de las instrucciones puede ocasionar la muerte o lesiones graves.

ÍNDICE

INSTRUCCIONES IMPORTANTES DE SEGURIDAD	39
Definiciones	39
SEGURIDAD EN EL USO DE PRODUCTOS QUÍMICOS	39
SEGURIDAD DEL PULVERIZADOR	39
Información de seguridad adicional	40
Instrucciones importantes de seguridad para todos los cargadores de batería	40
Instrucciones importantes de seguridad para el pulverizador de varilla eléctrica	41
Uso y cuidado del pulverizador de varilla eléctrica	41
CONTENIDO DEL PAQUETE	42
ENSAMBLAJE	42
FUNCIONAMIENTO DE LA BOQUILLA 3 EN 1	42
Rotación	42
Configuración de la boquilla 3 en 1	42
Fijar el conjunto de la manguera al tanque	43
Fijar el conjunto de la manguera al pulverizador de varilla eléctrica	43
Fijar la extensión de la varilla	43
Conexión de la boquilla	43
Fijar el pulverizador de varilla eléctrica a la tapa RTU	43
FUNCIONAMIENTO	44
Servicio	44
Cargar el pulverizador de varilla eléctrica	44
Sistema de protección electrónica	44
Llenado del pulverizador	45
Indicador de carga de la batería	45
Rociado	46
LIMPIEZA	46
CLIP DE ALMACENAMIENTO HORIZONTAL DE LA VARILLA	47
INSTALACIÓN DEL TAPÓN CON AMARRE	47
ALMACENAMIENTO	47
TRANSPORTE	48
MANTENIMIENTO	48
Reparaciones	48
Reemplazo del arnés	48
Mantenimiento de la boquilla	48
Mantenimiento de la cesta del filtro y de la tapa	48
Mantenimiento del filtro del tanque	49
Mantenimiento del accesorio de la manguera	49
CÓDIGO QR	50
Pulverizador de mochila compacto de 2 galones con pulverizador de varilla eléctrica recargable (2)	50
PREGUNTAS FRECUENTES	50
NÚMEROS DE PATENTE	50
PIEZAS DE REPUESTO	51
ESPECIFICACIONES	51
GARANTÍA LIMITADA POR 1 AÑO	51
GUÍA DE RESOLUCIÓN DE PROBLEMAS	52

INSTRUCCIONES IMPORTANTES DE SEGURIDAD

Definiciones

▲ **PELIGRO:** Indica una situación peligrosa que, si no se evita, provocará la muerte o lesiones graves.

▲ **ADVERTENCIA:** Indica una situación peligrosa que, si no se evita, podría provocar la muerte o lesiones graves.

▲ **PRECAUCIÓN:** Indica una situación peligrosa que, si no se evita, podría provocar lesiones leves o moderadas.

AVISO: Indica información considerada importante, pero no relacionada con el peligro (por ejemplo, mensajes relacionados con daños a la propiedad).

▲ **ADVERTENCIA:** AL USAR PULVERIZADORES ELÉCTRICOS, SIEMPRE SE DEBEN SEGUIR PRECAUCIONES BÁSICAS, INCLUIDAS LAS SIGUIENTES:

- Antes de usar el pulverizador, lea todas las instrucciones.
- Para reducir el riesgo de lesión, es necesaria la supervisión cercana cuando se usa algún electrodoméstico cerca de los niños.
- Solo use los accesorios recomendados o vendidos por el fabricante.
- En los pulverizadores recargables, use solo el cargador que suministró el fabricante para recargarlos.

SEGURIDAD EN EL USO DE PRODUCTOS QUÍMICOS

▲ **PELIGRO:** RIESGO DE MUERTE, LESIONES GRAVES Y/O DAÑOS A LA PROPIEDAD DEBIDO AL USO O LA MEZCLA DE SUSTANCIAS QUÍMICAS INDEBIDAS.

- Nunca use productos químicos inflamables o combustibles en este pulverizador. Rociar productos químicos inflamables o combustibles puede crear vapores combustibles que pueden encenderse y causar una explosión.
- Use solo los productos químicos indicados para aplicaciones de rociado. Algunos productos químicos pueden crear una atmósfera tóxica o peligrosa cuando se rocían.
- Consulte siempre las instrucciones del fabricante de los productos químicos y/o la hoja de datos de seguridad (SDS) de los productos químicos para una mezcla y aplicación seguras.

SEGURIDAD DEL PULVERIZADOR

▲ **ADVERTENCIA:** RIESGO DE LESIONES O DAÑOS A LA PROPIEDAD DEBIDO A LA EXPOSICIÓN A PRODUCTOS QUÍMICOS.

▲ **ADVERTENCIA:** NO EXPONER A LA LLUVIA. ALMACENAR EN INTERIORES.

- Lea y comprenda todo el manual de instrucciones antes de usar este pulverizador.
- Siga todas las instrucciones y precauciones del manual de instrucciones cuando utilice este pulverizador.
- Lea y siga todas las instrucciones y precauciones de la etiqueta del fabricante de los productos químicos que se utilicen en este pulverizador.
- Utilice el equipo de protección personal (EPP) adecuado según las recomendaciones del fabricante del producto químico y/o consulte la hoja de datos de seguridad (SDS) del producto químico que se utilizará. Esto incluye al menos gafas, guantes y ropa de protección. De no usar el EPP adecuado podría causar una exposición química a través del contacto con la piel o con los ojos, por inhalación u otros medios.
- Después del ensamblaje inicial, un almacenamiento prolongado o cualquier evento que pueda haberlo dañado, como una caída, inspeccione siempre si el pulverizador está dañado y pruebe con agua corriente si funciona correctamente. Asegúrese de que todas las conexiones estén fijas y no tengan fugas, y que la manguera no esté dañada, antes de usar el pulverizador con productos químicos.
- Inspeccione siempre las mangueras y las conexiones antes de cada uso. Una manguera dañada o conexiones flojas pueden causar una descarga sin control de los productos químicos a alta presión.
- No rocíe cerca de llamas expuestas, superficies calientes o cualquier cosa que podría vaporizar el líquido. De hacerlo, se podría generar una atmósfera química peligrosa.
- Nunca use cáusticos, cloro, ácidos, agua caliente, vinagre o productos químicos que produzcan presión en el pulverizador.
- Mantenga el pulverizador y todos los productos químicos fuera del alcance de niños y mascotas.
- Rocíe solo cuando no haya viento ni brisa para evitar que el rociado del producto químico se desvíe hacia superficies no deseadas.
- Nunca guarde productos químicos en el pulverizador.
- Almacene o deseche los productos químicos sin usar conforme a las instrucciones de sus respectivos fabricantes debido al potencial de daño ambiental por un derrame o fuga, y/o consulte los criterios de desecho a los que se hace referencia en la SDS.
- Limpie y enjuague el pulverizador después de cada uso para evitar la exposición no intencional a productos químicos y evitar contaminación en usos subsiguientes.
- Almacene el pulverizador en un lugar cálido, seco y sin polvo lejos de la luz solar directa.

▲ ADVERTENCIA: RIESGO DE LESIONES Y/O DAÑOS A LA PROPIEDAD DEBIDO A LA RUPTURA Y/O DESCARGA SIN CONTROL DE PRODUCTOS QUÍMICOS LÍQUIDOS A ALTA PRESIÓN.

- Nunca modifique o altere el estado original del pulverizador. Nunca caliente ni modifique la manguera, la tuerca de la manguera o el conector. Hacerlo podría debilitar los componentes y/o las conexiones.
- Use solo piezas de repuesto del fabricante original. Otras piezas de repuesto no son compatibles con este pulverizador.
- No levante, transporte o jale el pulverizador por la manguera, el pulverizador de varilla eléctrica o la extensión de la varilla. Hacerlo podría debilitar los componentes y/o las conexiones. Lleve por el asa o el arnés solamente, asegurándose de que las conexiones estén bien aseguradas antes de levantar.
- Para reducir el riesgo de descarga eléctrica, no ponga el aparato en agua u otro líquido. No coloque ni guarde el aparato donde pueda caerse o ser empujado dentro de una bañera o lavabo.

Información de seguridad adicional

▲ ADVERTENCIA: No modifique nunca el pulverizador ni ninguna de sus partes. Podrían producirse daños o lesiones.

Instrucciones importantes de seguridad para todos los cargadores de batería

▲ ADVERTENCIA: Lea todas las advertencias de seguridad, las instrucciones y las notas de precaución del cargador y el producto. El incumplimiento de las advertencias e instrucciones puede provocar descargas eléctricas, incendios y/o lesiones graves.

- No intente cargar la batería con ningún cargador que no sea de tipo USB-C.
- No exponga el cargador a la lluvia o a la nieve.
- No permita que agua o algún líquido entre al cargador.
- Tire del enchufe en lugar del cable al desconectar el cargador. Esto reducirá el riesgo de que se dañe el enchufe eléctrico y el cable.
- Asegúrese de que el cable esté ubicado de manera que no se pise, no cause tropezos ni se someta a daños o tensiones.
- No use una extensión a menos que sea absolutamente necesario. El uso de una extensión inadecuada podría provocar riesgo de incendio, descarga eléctrica o electrocución.

- Cuando utilice un cargador al aire libre, hágalo siempre en un lugar seco y utilice una extensión adecuada para uso en exteriores. El uso de un cable apto para uso en exteriores reduce el riesgo de descarga eléctrica.
- Las extensiones deben ser del calibre adecuado (AWG o American Wire Gauge) por seguridad. Cuanto menor sea el número de calibre del cable, más pesado es el cable y por lo tanto mayor es su capacidad. Un cable de tamaño insuficiente causará una caída en el voltaje de la línea que provocará la pérdida de potencia y sobrecalentamiento. La siguiente tabla muestra el tamaño correcto a utilizar dependiendo de la longitud total de todas las extensiones enchufadas y el amperaje indicado en la placa de características. En caso de dudas, use el siguiente calibre de más capacidad.

Calibre mínimo para los juegos de cables

Voltaje		Longitud total del cable en pies (metros)			
120 V		25 (7.6)	50 (15.2)	100 (30.5)	150 (45.7)
Amperaje		Calibre de alambre americano			
Más de	No más de				
0	6	18	16	16	14
6	10	18	16	14	12
10	12	16	16	14	12
12	16	14	12	No recomendado	

- No opere el cargador con un cable o enchufe dañado. Reemplácelos de inmediato.
- No utilice el cargador si ha recibido un golpe fuerte, se ha caído o se ha dañado de alguna manera.
- No desarme el cargador.
- El cargador está diseñado para funcionar con energía eléctrica doméstica estándar de 120 V. No intente utilizarlo con ningún otro voltaje.
- Los materiales extraños de naturaleza conductora, tales como, entre otros, polvo de esmerilado, virutas de metal, lana de acero, papel de aluminio o cualquier acumulación de partículas metálicas, deben mantenerse alejados de los puertos de carga del cargador.

Instrucciones importantes del seguridad para el pulverizador de varilla eléctrica

▲ ADVERTENCIA: Lea todas las advertencias de seguridad, las instrucciones y las notas de precaución del cargador y el producto. El incumplimiento de las advertencias e instrucciones puede provocar descargas eléctricas, incendios y/o lesiones graves.

- No use herramientas eléctricas en atmósferas explosivas, tal como ante la presencia de líquidos inflamables, gases o polvo. Insertar o quitar el cargador puede encender el polvo o los vapores.
- No salpique o sumerja el pulverizador de varilla eléctrica en agua u otros líquidos.
- No permita que el agua o ningún líquido entre al pulverizador de varilla eléctrica.
- No almacene ni utilice el pulverizador de varilla eléctrica en lugares donde la temperatura pueda alcanzar o superar los 104 °F (40 °C) (como cobertizos exteriores o edificios metálicos en verano). Para obtener la mejor vida útil, almacene el pulverizador de varilla eléctrica en un lugar fresco y seco.

NOTA: No utilice nunca cinta adhesiva para mantener el interruptor en la posición de ENCENDIDO.

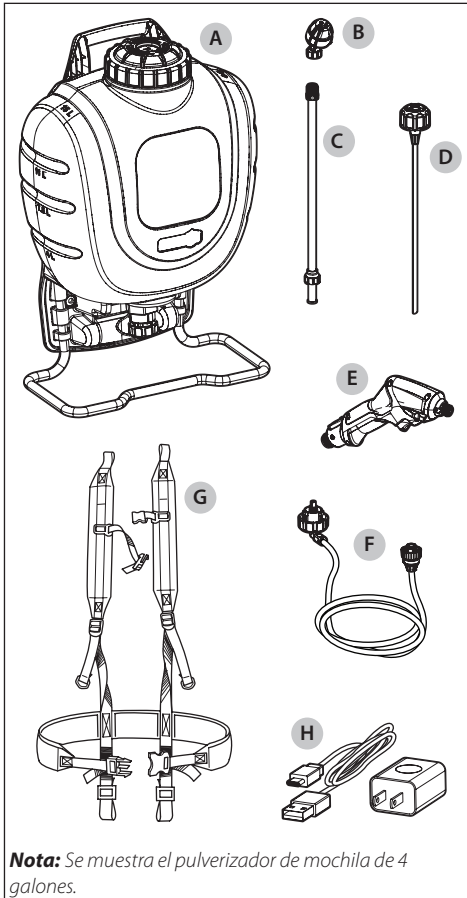
- No incinere el pulverizador de varilla eléctrica, incluso si está muy dañada o completamente gastada. La batería interna puede explotar al quemarse. Al quemarse, las baterías de iones de litio producen gases y materiales tóxicos.
- Si el contenido de la batería entra en contacto con la piel, lave inmediatamente el área con agua y jabón suave. Si el líquido de la batería entra en el ojo, enjuague con agua con el ojo abierto durante 15 minutos o hasta que cese la irritación. Si se necesita atención médica, el electrolito de la batería está compuesto por una mezcla de carbonatos orgánicos líquidos y sales de litio.
- El contenido de las celdas abiertas de la batería puede causar irritación respiratoria. Proporcione aire fresco. Si los síntomas persisten, busque atención médica.
- El líquido de la batería puede ser inflamable si se expone a chispas o llamas.
- No intente abrir nunca el pulverizador de varilla eléctrica por ninguna razón. Si la carcasa del pulverizador de varilla eléctrica está agrietada, no inserte el cargador. No aplaste, deje caer ni dañe el pulverizador de varilla eléctrica. No utilice pulverizadores de varilla eléctrica ni cargadores que hayan recibido un golpe fuerte, se hayan caído, hayan sido aplastados por un vehículo o se hayan dañado de alguna manera (por ejemplo, perforado con un clavo, golpeado con un martillo, pisado).
- Las varillas eléctricas dañadas se deben reciclar adecuadamente.

Uso y cuidado del pulverizador de varilla eléctrica

- Recargue sólo con el cargador especificado por el fabricante. Un cargador que es adecuado para un tipo de batería puede crear un riesgo de incendio cuando se utiliza con otra batería.
- En condiciones de uso abusivo, se puede expulsar líquido de la batería interna del pulverizador de varilla eléctrica; evite el contacto con este. Si se produce contacto accidental, enjuague con agua. Si el líquido entra en contacto con los ojos, busque también ayuda médica. El líquido expulsado de la batería interna del pulverizador de varilla eléctrica puede causar irritación o quemaduras.
- No utilice un pulverizador de varilla eléctrica que esté dañado o que se haya modificado. Las varillas eléctricas dañadas o modificadas pueden tener un comportamiento impredecible y causar incendios, explosiones o riesgo de lesiones.
- No exponga un pulverizador de varilla eléctrica al fuego o a una temperatura excesiva. La exposición al fuego o temperaturas superiores a 265 °F (130 °C) puede provocar una explosión.
- Siga todas las instrucciones de carga y no cargue el pulverizador de varilla eléctrica fuera del rango de temperatura especificado en las instrucciones. La carga inadecuada o a temperaturas fuera del rango especificado puede dañar la batería interna y aumentar el riesgo de incendio.

GUARDE ESTAS INSTRUCCIONES PARA SU USO FUTURO

CONTENIDO DEL PAQUETE



Nota: Se muestra el pulverizador de mochila de 4 galones.

- A Ensamblaje del tanque
- B Boquilla 3 en 1
- C Extensión de la varilla
- D Tapa y tubo de inmersión RTU (listo para usar)
- E Pulverizador de varilla eléctrica recargable
- F Conjunto de la manguera
- G Arnés
- H Cargador y cable USB-C

ENSAMBLAJE

- ▲ **ADVERTENCIA:** RIESGO DE LESIONES Y/O DAÑOS A LA PROPIEDAD DEBIDO A LA EXPOSICIÓN A PRODUCTOS QUÍMICOS. Después del ensamblaje inicial, inspeccione siempre si el pulverizador está dañado y pruebe con agua corriente para verificar el funcionamiento correcto. Asegúrese de que todas las conexiones estén fijas y no tengan fugas, y que la manguera no esté dañada, antes de usar el pulverizador con productos químicos.
- ▲ **ADVERTENCIA:** Solo use los accesorios recomendados o vendidos por el fabricante.
- ▲ **ADVERTENCIA:** Únicamente para uso doméstico.

FUNCIONAMIENTO DE LA BOQUILLA 3 EN 1

- ▲ **ADVERTENCIA: ¡Lea las precauciones de seguridad!** Siempre asegúrese de que el gatillo no esté activado antes de girar la boquilla a una configuración de rociado diferente. Asegúrese de que los indicadores de flecha estén alineados antes de rociar. De lo contrario puede resultar en fugas.

Rotación

1. Gire la boquilla 3 en 1 (B) a la posición de boquilla deseada.
2. El extremo de la boquilla caerá en su lugar cuando los indicadores de flecha (1) se alineen. Vea la Figura 1.

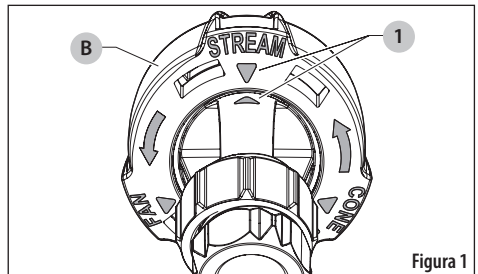


Figura 1

Configuración de la boquilla 3 en 1

Chorro

- Rociado focalizado en arriates, caminos, entradas para vehículos y patios, alrededor de árboles y arbustos.
- Bordeado de cercas, entradas para vehículos y caminos.

Ventilador

- Reemplazo del césped. Elimina el césped y las malas hierbas antes de plantar un nuevo césped.
- Preparación de áreas grandes para plantar plantas ornamentales y huertos.

Cono

- Eliminación de arbustos como hiedra venenosa, roble venenoso, kudzu y mora silvestre.
- Preparación de arriates para plantar plantas ornamentales y hortalizas.

Fijar el conjunto de la manguera al tanque

▲ PRECAUCIÓN: No intente calentar o alterar la manguera o el conector antes del montaje.

1. Alinee las pestañas del conector de la manguera con la tapa, empuje el conector de la manguera dentro de la tapa hasta que se detenga. Vea la Figura 2.
2. Siga empujando el conector de la manguera en la tapa. Gire el conector de la manguera en el sentido de las agujas del reloj para asegurarlo a la tapa.

NOTA: No use herramientas para apretar el conector o la tapa de la manguera.

NOTA: Retire la manguera cuando no esté en uso, vacíe el contenido del tanque y luego conecte el tapón con amarre. Vea la Instalación Del Tapón Con Amarre.

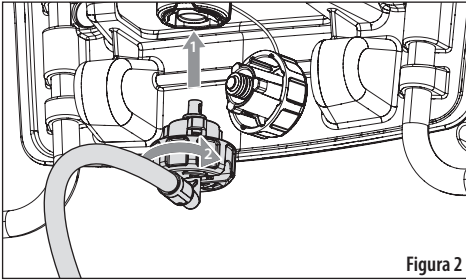


Figura 2

Fijar el conjunto de la manguera el pulverizador de varilla eléctrica

Instale el conjunto de la manguera (F) al pulverizador de varilla eléctrica. Gire en sentido contrario de las agujas del reloj para apretar.

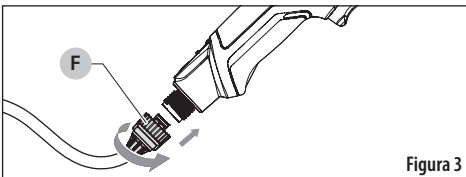


Figura 3

Fijar la extensión de la varilla

Instale la extensión (C) al pulverizador de varilla eléctrica (E). Gire en sentido contrario de las agujas del reloj para apretar. Vea la Figura 4.

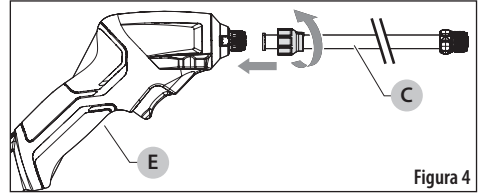


Figura 4

Conexión de la boquilla

Instale la boquilla 3 en 1 (B) en el extremo de la extensión de la varilla (C). Gire en sentido contrario de las agujas del reloj para apretar. Vea la Figura 5.

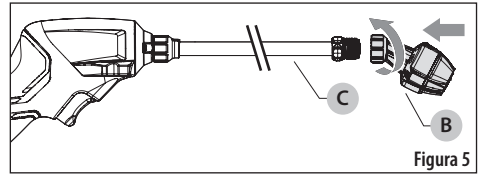


Figura 5

Fijar el pulverizador de varilla eléctrica a la tapa RTU

El pulverizador de varilla eléctrica se puede usar alternativamente con cualquier botella con una abertura de 38 mm usando la tapa RTU incluida (lista para usar) (D). Vea la Figura 6.

▲ ADVERTENCIA: Utilice únicamente botellas que tengan la clasificación adecuada para los productos químicos utilizados en la aplicación.

1. Inserte el tubo de nivel en la tapa RTU (D) en la botella de su elección. Gire la tapa en el sentido de las agujas del reloj hasta que esté asegurada a la botella.
2. Alinee las pestañas del conector de la manguera (F) con la tapa RTU (D), empuje el conector de la manguera en la tapa RTU hasta que se detenga.
3. Siga presionando hacia abajo el conector. Gire el conector de la manguera en el sentido de las agujas del reloj para asegurarlo a la tapa RTU.

NOTA: No use herramientas para apretar el conector o la tapa RTU.

NOTA: Retire la manguera cuando no esté en uso.

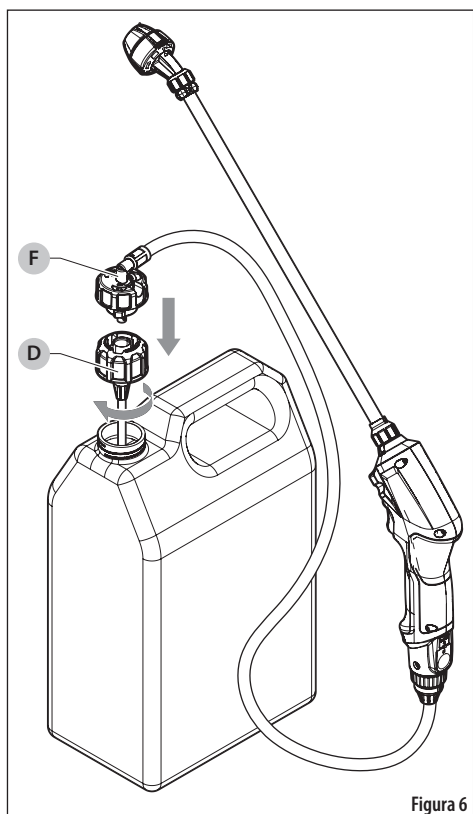


Figura 6

- No repare un pulverizador de varilla eléctrica averiado. La reparación de las varillas eléctricas solo se debe realizar por el fabricante o los proveedores de servicio autorizados.

Cargar el pulverizador de varilla eléctrica

- ▲ **ADVERTENCIA:** No cargue el pulverizador de varilla eléctrica en temperaturas extremas. Se recomienda cargar el pulverizador de varilla eléctrica a temperaturas ambiente entre 32 y 104 °F (0 y 40 °C).

Para cargar el pulverizador de varilla eléctrica:

1. Enchufe el cargador (1) en un tomacorriente apropiado.
2. Asegúrese de que el cable USB-C (2) esté completamente insertado en el cargador.
3. Inserte el otro extremo del cable USB-C (3) en el puerto de carga ubicado arriba del botón de encendido en el mango del pulverizador de varilla eléctrica. Vea la Figura 7.
4. La carga está completa cuando la luz verde permanece encendida de forma fija. Para garantizar una vida útil óptima del pulverizador de varilla eléctrica, este se debe cargar al menos una vez cada 3 meses cuando no se usa.

NOTA: El cargador no cargará un pulverizador de varilla eléctrica con una batería defectuosa, lo que puede indicarse con la luz apagada, con el parpadeo alternativo de la luz roja y verde, o con el parpadeo de una luz roja.

FUNCIONAMIENTO

- ▲ **ADVERTENCIA:** RIESGO DE LESIONES DEBIDO A LA EXPOSICIÓN A PRODUCTOS QUÍMICOS. Utilice el equipo de protección personal (EPP) adecuado según las recomendaciones del fabricante del producto químico y/o consulte la hoja de datos de seguridad (SDS) del producto químico que se utilizará. Esto incluye al menos gafas, guantes y ropa de protección.

- ▲ **ADVERTENCIA:** Para reducir el riesgo de lesiones graves, apague la unidad antes de realizar cualquier ajuste o de quitar o instalar accesorios. Una puesta en marcha accidental puede causar lesiones.

AVISO: El pulverizador de varilla eléctrica no se entrega completamente cargado. Antes de utilizar el pulverizador de varilla eléctrica y el cargador, lea las instrucciones de seguridad que se indican a continuación y siga los procedimientos de carga que se señalan.

Servicio

- Use solo piezas de repuesto idénticas suministradas por el fabricante original. Esto garantizará que la calidad del pulverizador de varilla eléctrica se mantenga.

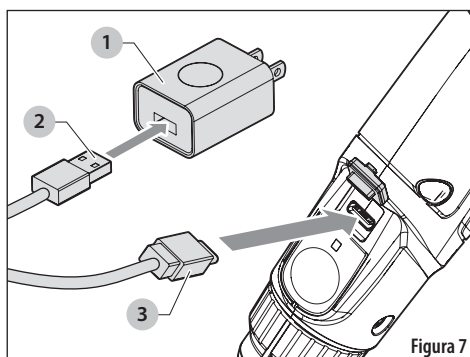


Figura 7

Sistema de protección electrónica

Las herramientas con baterías de iones de litio están diseñadas con un sistema de protección electrónica que protege las baterías contra sobrecargas, sobrecalentamientos o descargas completas.

Observaciones importantes sobre la carga

El cargador y el pulverizador de varilla eléctrica pueden sentirse calientes al tacto durante la carga. Esto es normal y no indica ningún problema. Para facilitar el enfriamiento del pulverizador de varilla

eléctrica después del uso, evite colocar el cargador o el pulverizador de varilla eléctrica en un entorno cálido como un cobertizo de metal o un remolque sin aislamiento.

Si el pulverizador de varilla eléctrica no se carga correctamente:

- Compruebe el funcionamiento de la toma de corriente enchufando una lámpara u otro aparato.
- Compruebe si la toma de corriente está conectada a un interruptor que corte el suministro eléctrico al accionarlo.
- Si los problemas de carga persisten, reemplace el pulverizador de varilla eléctrica o el cargador. Consulte la *Guía de resolución de problemas, El pulverizador de varilla eléctrica no se carga*.

Puede cargar un pulverizador de varilla eléctrica parcialmente agotado en cualquier momento sin que ello afecte negativamente a la batería interna.

Llenado del pulverizador

▲ PELIGRO: RIESGO DE MUERTE, LESIONES GRAVES Y/O DAÑOS A LA PROPIEDAD DEBIDO AL USO O LA MEZCLA DE SUSTANCIAS QUÍMICAS INDEBIDAS.

- Nunca use productos químicos inflamables o combustibles en este pulverizador. Rocíar productos químicos inflamables o combustibles puede crear vapores combustibles que pueden encenderse y causar una explosión.
- Use solo los productos químicos indicados para aplicaciones de rociado. Algunos productos químicos pueden crear una atmósfera tóxica o peligrosa cuando se rocían.
- Consulte siempre las instrucciones del fabricante de los productos químicos y/o la hoja de datos de seguridad (SDS) de los productos químicos para una mezcla y aplicación seguras.

▲ ADVERTENCIA: Inspeccione el tanque, la manguera, el pulverizador de varilla eléctrica, la extensión de la varilla y todas las conexiones en busca de daños antes de cada uso. Una conexión de manguera dañada o suelta puede dar lugar a una exposición involuntaria a los productos químicos presurizados, lo que provocaría lesiones graves o daños a la propiedad.

Antes de empezar

Pruebe el pulverizador con agua corriente antes de usarlo con productos químicos, antes de su uso inicial y después de un almacenamiento prolongado.

Coloque el pulverizador en una superficie estable y asegúrese de que esté apagado.

Procedimiento de llenado

1. Desensrosque la tapa (1) y colóquela sobre una superficie limpia en la que no se acumule suciedad, polvo, recortes de hierba u otros desechos. Vea la *Figura 8*.
2. Retire la cesta del filtro (2) y retire cualquier residuo. Coloque la cesta del filtro (2) sobre una superficie limpia en la que no se acumule suciedad, polvo, recortes de hierba u otros desechos.
3. Inspeccione el interior del tanque en busca de suciedad y límpielo si es necesario.
4. Compruebe que el filtro del depósito (3) está en su sitio, que la malla está intacta y que no está obstruida por suciedad. Ver *Mantenimiento del filtro del tanque*.
5. Siga las instrucciones del fabricante del producto químico para prepararlo. Llene el pulverizador vertiendo el líquido en la abertura superior y a través de la cesta del filtro, hasta alcanzar el volumen deseado, guiándose con las marcas de volumen en el lateral del tanque.
6. Limpie todos los derrames, salpicaduras o desbordamientos de líquido en el pulverizador.

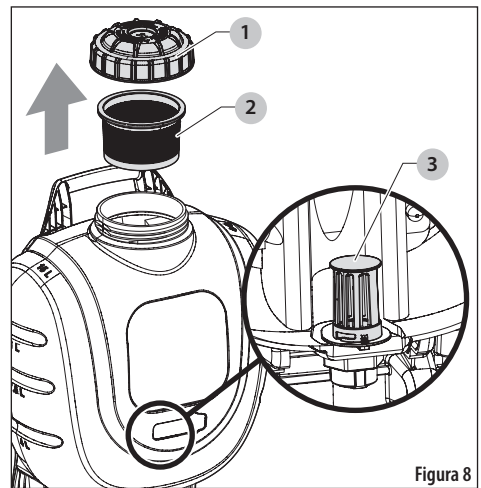
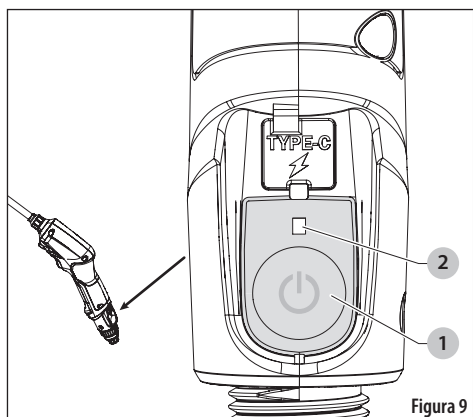


Figura 8

Indicador de carga de la batería

1. Coloque el botón de encendido (1) en la posición de encendido (ON). Se enciende una luz (2) encima del botón de encendido para indicar el nivel de la batería. Vea la *Figura 9*.
2. Luces indicadoras de la batería:
 - a. Luz verde: carga suficiente
 - b. Luz amarilla: media carga
 - c. Luz roja: batería baja, necesita cargarla

NOTA: Cuando la luz roja se activa, el pulverizador rociará aproximadamente un galón, dependiendo de la configuración de la boquilla.

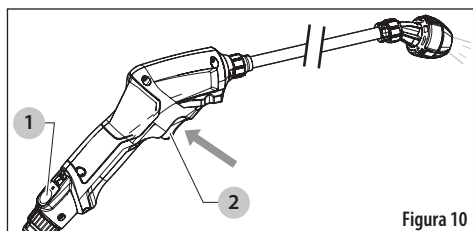


Rociado

▲ ADVERTENCIA: RIESGO DE LESIONES PERSONALES Y/O DAÑOS A LA PROPIEDAD DEBIDO AL ROCIADO NO DESEADA DE PRODUCTOS QUÍMICOS. Asegúrese de que el gatillo del pulverizador de varilla eléctrica no esté activado antes de encender el pulverizador. Una vez encendido, la bomba rociará si se presiona el gatillo del pulverizador de varilla eléctrica.

AVISO: RIESGOS DE DAÑO A LA PROPIEDAD. Rocíe solo cuando no haya viento ni brisa para evitar que el rociado del producto químico se desvíe hacia superficies no deseadas.

1. Presione el botón de encendido (1) para encender. Se enciende la luz encima del botón. Vea la Figura 10.
2. Apunte el pulverizador de varilla eléctrica en la dirección deseada de rociado y apriete el gatillo (2).
3. Para apagar el pulverizador de varilla eléctrica, presione el botón de encendido (1) a la posición de apagado (OFF). Se apaga la luz encima del botón.
4. Vacíe siempre los productos químicos y limpie el pulverizador de varilla eléctrica cuando termine. Consulte las secciones *Limpieza* y *Almacenamiento* de este manual.



LIMPIEZA

▲ ADVERTENCIA: Libere siempre la presión del pulverizador de varilla eléctrica antes de la limpieza. Desmontar un pulverizador que todavía está presurizado puede provocar la expulsión a alta velocidad de los componentes.

▲ ADVERTENCIA: RIESGO DE LESIONES DEBIDO A LA EXPOSICIÓN A PRODUCTOS QUÍMICOS. Utilice el equipo de protección personal (EPP) adecuado según las recomendaciones del fabricante del producto químico y/o consulte la hoja de datos de seguridad (SDS) del producto químico que se utilizará. Esto incluye al menos gafas, guantes y ropa de protección.

▲ ADVERTENCIA: RIESGO DE DAÑO A LOS COMPONENTES INTERNOS. Si el pulverizador no se enjuaga adecuadamente, se pueden acumular residuos químicos que pueden obstruir o dañar los filtros, el pulverizador de varilla eléctrica, la extensión de la varilla y la boquilla. La acumulación de residuos químicos también puede contaminar las aplicaciones posteriores. Dejar líquidos químicos en el pulverizador cuando no se usa puede dar lugar a un desgaste prematuro del mismo. No almacene nunca el pulverizador con productos químicos en ninguna parte del mismo.

1. Asegúrese de que el pulverizador de varilla eléctrica (E) esté apagada (OFF) y retírela. Vea la Figura 11.
2. Retire la tapa (1) y la cesta del filtro (2) y vierta cualquier producto químico que quede en el tanque en un recipiente adecuado para su uso posterior o deséchelo de acuerdo con las instrucciones del fabricante del producto químico.
3. Use agua limpia para enjuagar y vaciar el tanque hasta eliminar todos los productos químicos y residuos.
4. Añada aproximadamente 1 cuarto (1 litro) de agua limpia al tanque.
5. Vuelva a instalar la manguera y el pulverizador de varilla eléctrica (E) y presione el botón de encendido (3) para encender el pulverizador.
6. Descargue agua a través de la manguera, el pulverizador de varilla eléctrica y la boquilla durante al menos 30 segundos para enjuagarlos. No enjuagar estos componentes puede permitir la acumulación de residuos químicos que pueden obstruir o dañar los componentes. Después de un uso intenso, enjuagar las boquillas puede no ser suficiente para eliminar los residuos. Puede ser necesario poner en remojo o limpiar la boquilla con un cepillo pequeño.

7. Vacíe el agua restante del tanque y continúe rociando hasta que ya no salga agua de la boquilla. Esto indica que se ha eliminado la mayor parte de agua del sistema.
8. Presione el botón de encendido para apagar el pulverizador de varilla eléctrica.
9. Apriete el gatillo del pulverizador de varilla eléctrica para liberar el líquido restante en la manguera.
10. Permita que el pulverizador se seque. La mejor manera de hacerlo es quitar la manguera, el pulverizador de varilla eléctrica, la tapa y la cesta del filtro y colgar el pulverizador al revés para que se vacíe.
11. Una vez que el pulverizador se haya secado, ponga el pulverizador en posición vertical y vuelva a colocar la tapa (1) y la cesta del filtro (2) para evitar que entre suciedad en el tanque.

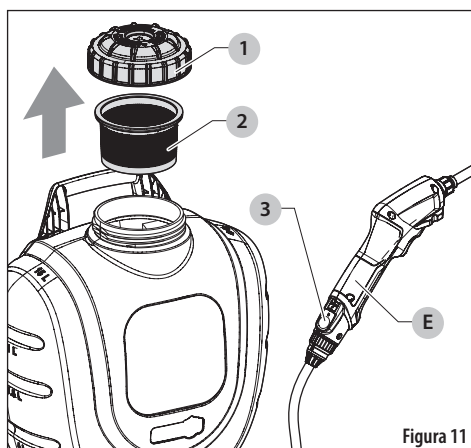


Figura 11

CLIP DE ALMACENAMIENTO HORIZONTAL DE LA VARILLA

Hay clips de almacenamiento horizontal de la varilla (1) en la parte posterior del tanque con las que se puede fijar la varilla. Las presillas horizontales de la varilla ayudan con el almacenamiento ya que reducen el espacio necesario alrededor del pulverizador. Vea la Figura 12.

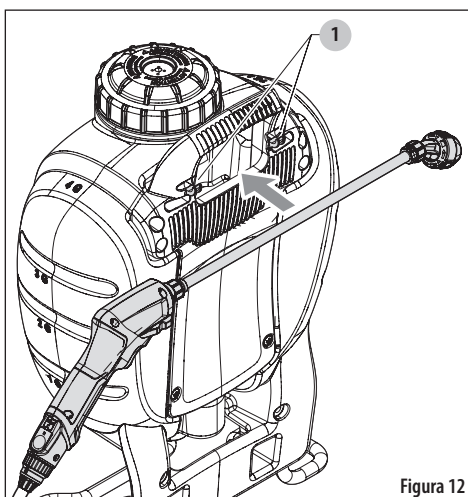


Figura 12

INSTALACIÓN DEL TAPÓN CON AMARRE

El tapón con amarre debe instalarse en la tapa del tanque cuando vaya a almacenar el pulverizador.

1. Alinee las pestañas (1) del tapón con amarre con la tapa del tanque (2) y haga presión contra la tapa hasta que se detenga.
2. Gire el tapón con amarre en sentido horario y fíjelo en la tapa. Vea la Figura 13.

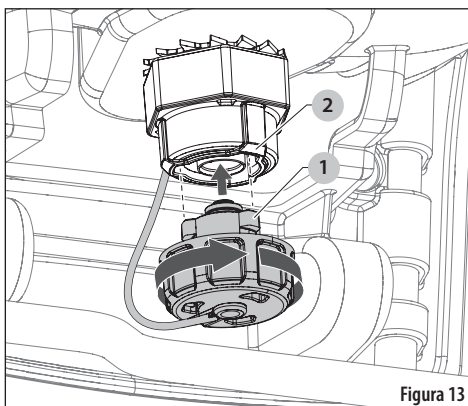


Figura 13

ALMACENAMIENTO

Guarde el pulverizador en un lugar cálido y seco, fuera de la luz directa del sol y lejos de cualquier fuente de humedad o calor intenso. No guarde el pulverizador en donde se produzcan temperaturas de congelación (por debajo de 32°F/0°C). Permitir que el agua se congele dentro del pulverizador puede causar daños en el pulverizador de varilla eléctrica, la extensión del pulverizador de varilla eléctrica, u otros componentes, y anular la garantía.

TRANSPORTE

NOTA: El pulverizador de varilla eléctrica contiene una batería interna de iones de litio y no debe colocarse en el equipaje en bodega de los aviones y debe protegerse adecuadamente en el equipaje de mano.

MANTENIMIENTO

▲ **ADVERTENCIA:** Para reducir el riesgo de lesiones graves, apague la unidad y quite la batería antes de realizar cualquier ajuste o de retirar o instalar accesorios. Una puesta en marcha accidental puede causar lesiones.

▲ **ADVERTENCIA: RIESGO DE LESIONES Y/O DAÑOS A LA PROPIEDAD DEBIDO A LA EXPOSICIÓN A PRODUCTOS QUÍMICOS.** Asegúrese siempre de que se hayan eliminado todos los productos químicos del pulverizador y que este se haya limpiado antes de realizar cualquier mantenimiento.

Reparaciones

El pulverizador de varilla eléctrica y el cargador no se pueden reparar. No hay piezas reparables en el interior del pulverizador de varilla eléctrica o del cargador.

Reemplazo del arnés

1. En cada lado del arnés (G), retire los pequeños clips de plástico (1) de los dos bucles de la correa para el hombro y pase cada bucle por las ranuras en la parte superior del asa del pulverizador. Vea la Figura 14.
2. Vuelva a colocar los clips (1) a través de los bucles y tire de la correa que sujeta las dos correas del arnés (G) en su lugar.

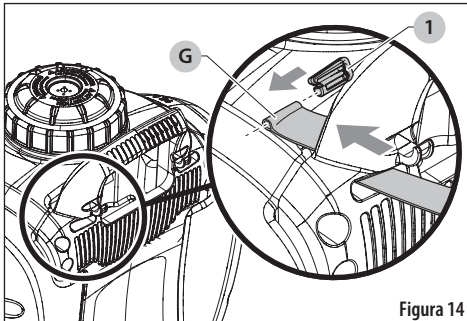


Figura 14

3. Para las correas inferiores, retire la correa de la parte superior de las hebillas (3) y colóquela alrededor del soporte para las patas (2), comenzando desde abajo. Vea la Figura 15.

4. Pase la correa por la primera sección de la hebilla (3). A continuación, pase la correa por la otra sección de la hebilla (3) para apretarla. Ajuste las hombreras y la longitud de las correas para un ajuste cómodo.

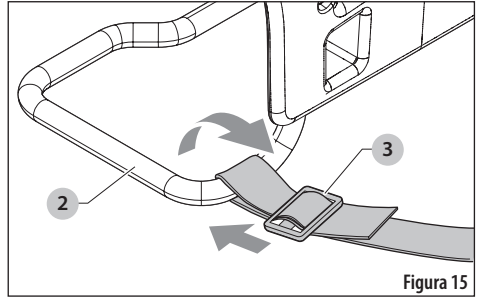


Figura 15

Mantenimiento de la boquilla

▲ **ADVERTENCIA:** Antes de realizar el mantenimiento, despresurice siempre el pulverizador apagándolo y apretando el gatillo de la varilla para pulverizar hasta que el flujo de líquido se detenga.

- Si una boquilla se obstruye, retire y desmonte el conjunto de la boquilla.
- Limpie las aberturas de cualquier obstrucción o residuo.
- No utilice herramientas afiladas que puedan rayar o dañar las boquillas, ya que el patrón de pulverización podría verse afectado.
- No golpee la boquilla contra superficies para desatorarla.

Mantenimiento de la cesta del filtro y de la tapa

- Revise la tapa (1) y la junta de la cesta del filtro (2) en la cesta del filtro (2) para asegurarse de que no muestren signos de desgaste y funcionen correctamente. Vea la Figura 16.
- Reemplácelas según sea necesario.

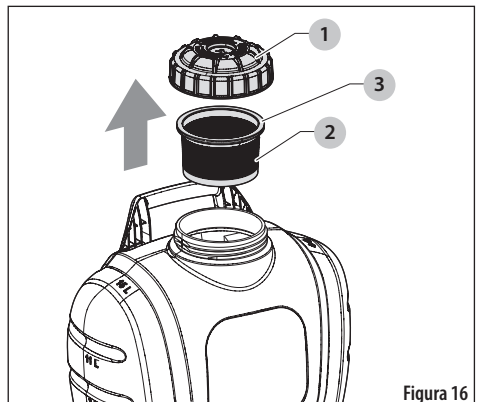


Figura 16

Mantenimiento del filtro del tanque

▲ PRECAUCIÓN: RIESGO DE DAÑO A LOS COMPONENTES INTERNOS. No opere el pulverizador sin el filtro del tanque instalado correctamente. Hacerlo podría permitir que entren residuos en la bomba y obstruir o dañar la bomba.

1. Asegúrese de que el pulverizador esté apagado (OFF).
2. Retire la tapa y la cesta del filtro. Enjuague con agua limpia para eliminar cualquier residuo.
3. Coloque la cesta del filtro y la tapa sobre una superficie limpia en la que no se acumule suciedad, polvo, grasa, recortes de hierba u otros desechos.
4. Vierta el líquido del tanque en un recipiente apropiado para su uso posterior o deséchelo apropiadamente de acuerdo con las instrucciones del fabricante del producto químico.
5. Enjuague y vacíe el tanque para eliminar cualquier rastro de suciedad, restos o residuos.
6. Introduzca la mano en el tanque y agarre con cuidado el filtro del tanque (1) ubicado en el fondo de este. Vea la *Figura 17*.
7. Gire el filtro del tanque aproximadamente 1/8 de vuelta en sentido antihorario hasta que no gire más y tire para sacarlo del tanque.

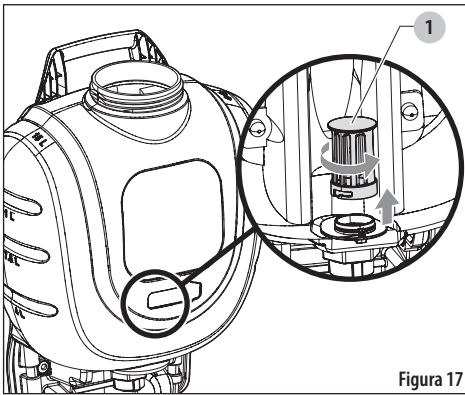


Figura 17

8. Limpie el filtro del tanque cuidadosamente enjuagándolo de dentro hacia fuera. Asegúrese de no rasgar ni dañar la malla. Cualquier daño a la malla podría permitir que entren residuos en la bomba interna del pulverizador de varilla eléctrica y obstruir o dañar la bomba.

NOTA: Si el filtro del tanque está dañado o demasiado sucio para poder limpiarlo, reemplácelo por uno nuevo.

9. Para volver a instalar el filtro (1) del tanque, colóquelo suavemente en el fondo del tanque y gírelo lentamente hasta que las pestañas de bloqueo en la base del filtro estén alineadas con las ranuras de este. El filtro del tanque caerá hacia abajo aproximadamente 1/8 de pulgada cuando esto suceda.
10. Empuje hacia abajo el filtro del tanque hasta el tope, aproximadamente otro 1/4 de pulgada; a continuación, gire el filtro del tanque 1/8 de vuelta en sentido horario hasta el tope. Vea la *Figura 18*.

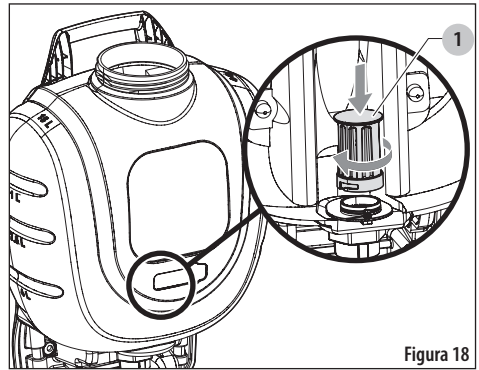


Figura 18

Mantenimiento del accesorio de la manguera

Separe la manguera de la tapa del tanque. Empuje el conector de la manguera en la tapa, gírelo en sentido contrario a las agujas del reloj y retire el conector de la manguera de la tapa. Elimine cualquier resto de agua de la manguera. Vea la *Figura 19*.

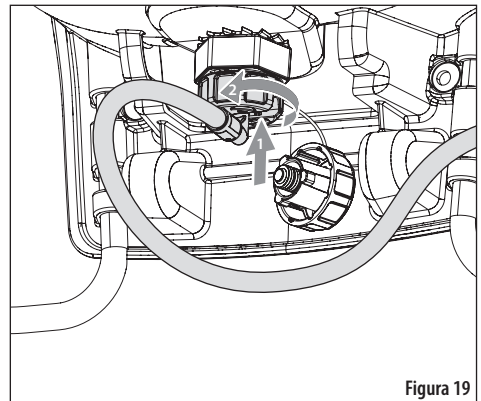
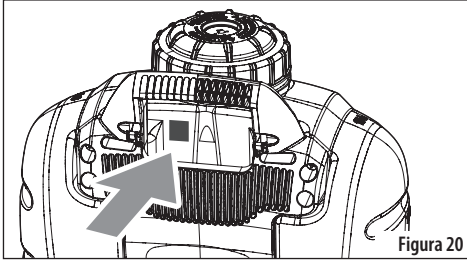


Figura 19

CÓDIGO QR

Hay un código QR en una etiqueta en la parte superior de la mochila dentro del asa de transporte. Escanee el código QR para obtener información sobre el producto. Escanear el código QR lo redirigirá hacia la página del sitio web del producto pulverizador de mochila con pulverizador de varilla eléctrica de batería de iones de litio, donde puede comprar piezas de repuesto, ver el manual del usuario, acceder a varios videos y documentos, y obtener asistencia sobre el uso y la resolución de problemas del pulverizador de mochila. Vea la *Figura 20*.



Pulverizador de mochila compacto de 2 galones con pulverizador de varilla eléctrica recargable (2)

Para obtener el Manual de instrucciones e información adicional.



<https://qr.codes.pro/xcsLOW190797>

Hecho en China

Distribuido bajo licencia por:

The Fountainhead Group, Inc.
23 Garden Street
New York Mills, NY 13417 U.S.A.

Fax: (800) 311-9903

Correo electrónico: Info@TheFGI.com

www.TheFountainheadGroup.com

PREGUNTAS FRECUENTES

Consulte <https://www.thefountainheadgroup.com/> para ver las preguntas frecuentes de un producto específico.

NÚMEROS DE PATENTE

Consulte <https://www.thefountainheadgroup.com/> para ver los números de patente de un producto específico.

PIEZAS DE REPUESTO

Número de pieza	Descripción
185561	Kit de pulverizador de varilla eléctrica y cargador
185420	Manguera de repuesto de 50"
185571	Cable de carga USB-C de 1,8 m
185495	Cabezal de carga USB-C de 5 V y 1,0 A
182329	Boquilla 3 en 1 (roja)
183055	Varilla de polietileno de 14"
181564	Cesta filtrante
184401	Tapa del tanque
185424	Ensamblaje de tapa y tubo de inmersión listos para usar
184194	Protector para rocío

ESPECIFICACIONES

Voltaje	3,6 V (nominal)
Corriente	1,5 A
Capacidad de la batería	2000 mAh
Tiempo de funcionamiento	120 minutos
Tiempo de carga	120 minutos
Presión de trabajo	4,4 PSI a 20 PSI (según el ajuste de la boquilla)

GARANTÍA LIMITADA POR 1 AÑO

Esta garantía limitada le otorga a usted, el comprador original del producto, derechos legales específicos. Según el estado, es posible que le correspondan otros derechos adicionales.

The Fountainhead Group, Inc. (FGI) le garantiza al comprador original del producto que cada producto estará libre de defectos en materiales y mano de obra, bajo uso y condiciones normales, por un período de un (1) año desde la fecha de compra. FGI no ofrece otras garantías expresas, y todas las garantías implícitas, incluidas las de idoneidad y comerciabilidad, están limitadas a un (1) año a partir de la fecha de compra.

Si el producto no funciona según lo previsto, llame a nuestra línea directa de atención al cliente al + 1-800-311-9903 o envíe un correo electrónico a info@thefgi.com. Dentro del período de garantía, FGI reparará o reemplazará cualquier pieza que se encuentre defectuosa en nuestro examen. FGI se reserva el derecho de exigir la devolución del producto defectuoso con el comprobante de compra para establecer un reclamo bajo esta garantía. El período de garantía no se extiende si reparamos o reemplazamos el producto. Todos los gastos de envío correrán a cargo del cliente.

Esta garantía limitada no cubre ningún daño o defecto resultante del transporte, almacenamiento, mantenimiento, uso inadecuado, negligencia, accidente, desgaste normal, modificaciones u operación o cualquier otra actividad o acción que no esté de acuerdo con el manual de instrucciones. Las piezas que se consideren piezas desgastables no forman parte de la garantía limitada.

En ningún caso FGI será responsable de ningún daño incidental, especial, consecuente o punitivo, ni de los honorarios de abogados, gastos, pérdidas o retrasos que se aleguen como consecuencia de cualquier daño, fallo o capacitación inadecuada en el uso del producto, y tampoco será responsable de reclamos por pérdida de beneficios, entre otros.

GUÍA DE RESOLUCIÓN DE PROBLEMAS

ASEGÚRESE DE SEGUIR LAS INSTRUCCIONES Y LAS REGLAS DE SEGURIDAD

Para recibir asistencia con su producto, visite nuestro sitio web en www.thefountainheadgroup.com o llámenos al 1-800-311-9903.

PROBLEMA	CAUSA POSIBLE	SOLUCIÓN
El pulverizador de varilla eléctrica no se enciende	Asegúrese de que el pulverizador de varilla eléctrica esté cargado.	Cargue el pulverizador de varilla eléctrica. Consulte <i>Cargar el pulverizador de varilla eléctrica</i> .
	Es posible que el pulverizador de varilla eléctrica se haya sobrecalentado	Deje que el pulverizador de varilla eléctrica se enfríe.
El pulverizador de varilla eléctrica se enciende (la bomba tiene un zumbido cuando se aprieta el gatillo) pero no rocía.	No hay líquido en el tanque.	Añada líquido al tanque. Consulte <i>Llenado del pulverizador</i> .
	La boquilla está obstruida.	Limpie la boquilla. Consulte <i>Mantenimiento de la boquilla</i> .
	El filtro del tanque está obstruido.	Limpie el filtro del tanque. Consulte <i>Mantenimiento del filtro del tanque</i> .
	El pulverizador de varilla eléctrica no está cebado.	Deje por lo menos 30 segundos para que la bomba se cebe.
	La manguera no está conectada al pulverizador de varilla eléctrica	Conecte la manguera al pulverizador de varilla eléctrica y presione el gatillo para cebar la herramienta. Consulte <i>Fijar el conjunto de la manguera al pulverizador de varilla eléctrica</i> .
	El pulverizador de varilla eléctrica está obstruida.	Reemplace el pulverizador de varilla eléctrica.
El pulverizador de varilla eléctrica se enciende pero solo rocía a baja presión.	La boquilla está obstruida.	Limpie la boquilla. Consulte <i>Mantenimiento de la boquilla</i> .
	El pulverizador de varilla eléctrica está obstruido.	Reemplace el pulverizador de varilla eléctrica.
	La manguera no está completamente asentada en el pulverizador de varilla eléctrica o en la conexión del tanque.	Desconecte y vuelva a conectar ambos extremos de la manguera. Consulte <i>Fijar el conjunto de la manguera al tanque</i> y <i>Fijar el conjunto de la manguera al pulverizador de varilla eléctrica</i> .
	El filtro del tanque está obstruido.	Limpie el filtro del tanque. Consulte <i>Mantenimiento del filtro del tanque</i> .

PROBLEMA	CAUSA POSIBLE	SOLUCIÓN
El pulverizador de varilla eléctrica no se ceba por completo.	El pulverizador de varilla eléctrica está obstruido.	Reemplace el pulverizador de varilla eléctrica.
	El nivel de líquido en el tanque es bajo.	Añada líquido al tanque. Consulte <i>Llenado del pulverizador</i> .
	Hay residuo químico o acumulación en el tanque y/o la bomba debido a una limpieza insuficiente o inadecuada.	Limpie el pulverizador. Consulte <i>Limpieza</i> . Si es necesario, repita con agua caliente y una mezcla de detergente suave. Permita que la mezcla permanezca en la bomba por hasta 1 hora antes de enjuagar. Reemplace el pulverizador de varilla eléctrica si es necesario.
	El filtro del tanque está instalado incorrectamente, no está instalado o está dañado, lo que permite que entre suciedad en la bomba.	Limpie el pulverizador. Consulte <i>Limpieza</i> . Si es necesario, repita con agua caliente y una mezcla de detergente suave. Permita que la mezcla permanezca en la bomba por hasta 1 hora antes de enjuagar. Reemplace el pulverizador de varilla eléctrica si es necesario.
La manguera no está completamente asentada en el pulverizador de varilla eléctrica o en la conexión del tanque.	La manguera no está completamente asentada en el pulverizador de varilla eléctrica o en la conexión del tanque.	Desconecte y vuelva a conectar ambos extremos de la manguera. Consulte <i>Fijar el conjunto de la manguera al tanque y Fijar el conjunto de la manguera al pulverizador de varilla eléctrica</i> .
	La manguera está agrietada, hinchada o es defectuosa.	Reemplace la manguera.
La manguera tiene fugas en la conexión del tanque o en el pulverizador de varilla eléctrica.	La conexión está dañada.	Reemplace el conjunto de la manguera, el tanque o el pulverizador de varilla eléctrica.
	La boquilla gotea cuando se libera el gatillo.	Reemplace la manguera y el pulverizador de varilla eléctrica.
La boquilla gotea cuando se libera el gatillo.	Hay suciedad o residuos en el pulverizador de varilla eléctrica.	Limpie la manguera y el pulverizador de varilla eléctrica.
	Hay una junta tórica o sello dañados en el pulverizador de varilla eléctrica.	Reemplace la manguera y el pulverizador de varilla eléctrica.
	El gatillo no está completamente presionado.	Inspeccione si hay residuos entre el gatillo y la caja de la varilla para asegurarse de que el gatillo esté completamente presionado.
La extensión de la varilla o la punta de la boquilla tienen fugas.	Falta la junta tórica o está dañada.	Reemplace la junta tórica en la extensión de la varilla o en la punta de la boquilla.
El patrón de pulverización es deficiente.	La boquilla está dañada.	Reemplace la boquilla.
	La boquilla está parcialmente obstruida.	Limpie la boquilla. Consulte <i>Limpieza</i> .
El pulverizador de varilla eléctrica se apaga abruptamente.	El pulverizador de varilla eléctrica ha alcanzado su límite térmico máximo.	Deje que el pulverizador de varilla eléctrica se enfríe.
	El pulverizador de varilla eléctrica está descargado. Para maximizar la vida del pulverizador de varilla eléctrica, esta ha sido diseñada para apagarse abruptamente cuando se agota la carga.	Enchufe el pulverizador de varilla eléctrica y deje que se cargue.

PROBLEMA	CAUSA POSIBLE	SOLUCIÓN
El pulverizador de varilla eléctrica no se está cargando.	El cargador no está enchufado.	Enchufe el cargador en una toma de corriente que funcione.
	La temperatura ambiente es muy alta o muy baja.	Mueva el pulverizador de varilla eléctrica a un lugar con una temperatura ambiente superior a 40 °F (4.5 °C) o inferior a 104 °F (40 °C).
	El cargador está enchufado en un tomacorriente dañado.	Verifique que el tomacorriente funcione.
	La luz roja sigue parpadeando en el pulverizador de varilla eléctrica (temperatura de la batería demasiado alta para una carga segura).	Deje que el pulverizador de varilla eléctrica se enfríe.
	Las luces roja y verde parpadean alternativamente en el pulverizador de varilla eléctrica (la batería no se puede cargar).	Reemplace el pulverizador de varilla eléctrica.



www.thefountainheadgroup.com

Rev 186064 A
10/2024