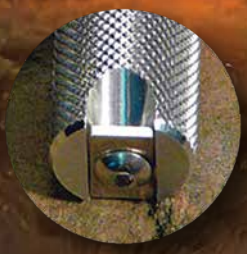


AURORA[®]

SURVIVAL FIRE STARTER

- **IDEAL FOR STARTING CAMPFIRES**
- **MACHINED FROM SOLID AIRCRAFT ALUMINUM**
- **WORKS IN WET OR DRY ENVIRONMENTS**
- **BUILT-IN GUIDED STRIKING BLADE AND FERROCERIUM FLINT STEEL ROD WITH INTEGRATED MAGNESIUM - YIELDS SPARKS AS HOT AS 5000°F**
- **O-RING SEALED ALUMINUM COVER PROTECTS ROD FROM OXIDATION IN BOTH SALT AND FRESH WATER ENVIRONMENTS**
- **LIGHTWEIGHT COMPACT DESIGN FOR EASY TRANSPORT**
- **KNURLED DESIGN IS IDEAL FOR GRIP IN ANY WEATHER CONDITIONS**
- **LANYARD/KEY RING ATTACHMENT AREA FOR SECURING**



The Tungsten Blade can also be used to sharpen knives in the field. It can be purchased as a replacement part.

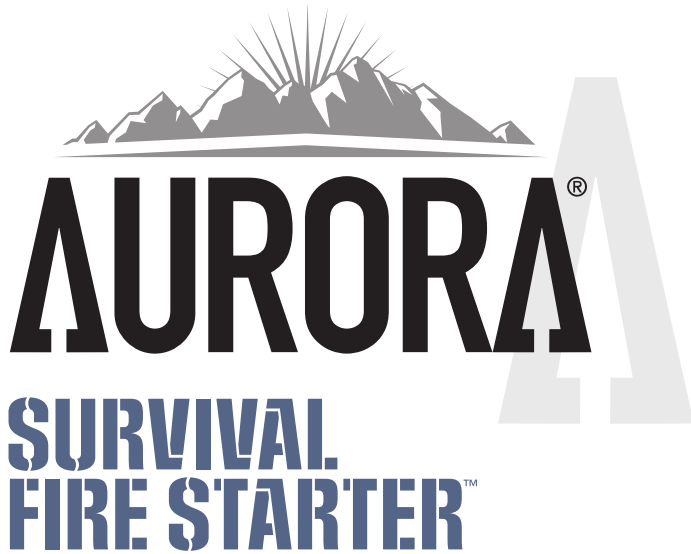


A MUST HAVE FOR:

- **OUTDOORSMEN**
- **CAMPERS**
- **HIKERS**
- **HUNTERS**
- **FISHERMEN**

ATTENTION

AURORA IS NOT RESPONSIBLE FOR ANY DAMAGE CAUSED BY USE OR MISUSE OF THIS PRODUCT.



AURORA[®]

SURVIVAL FIRE STARTER[™]

US Patent No. 8202085 8186995




SPECIFICATIONS

SKU:	190724
LENGTH:	3.6" (9.14 cm)
WIDTH:	0.63" (1.59 cm)
WEIGHT:	1.6 oz (45 grams)
ROD DIAMETER:	0.25" (0.64 cm)

PACKAGE SPECIFICATIONS

LENGTH:	7.75" (19.68 cm)
WIDTH:	4.25" (10.79 cm)
DEPTH:	0.75" (1.91 cm)
CASE QTY:	8

PRODUCT OPTIONS

COLOR	PART #	UPC #
STAINLESS STEEL STRIKING BLADE		
 SILVER (Anodized)	190724	8 41688 00684 3
 BLACK (Anodized)	190736	8 41688 00704 8
 RED (Anodized)	190737	8 41688 00705 5

REPLACEMENT PARTS AND ACCESSORIES

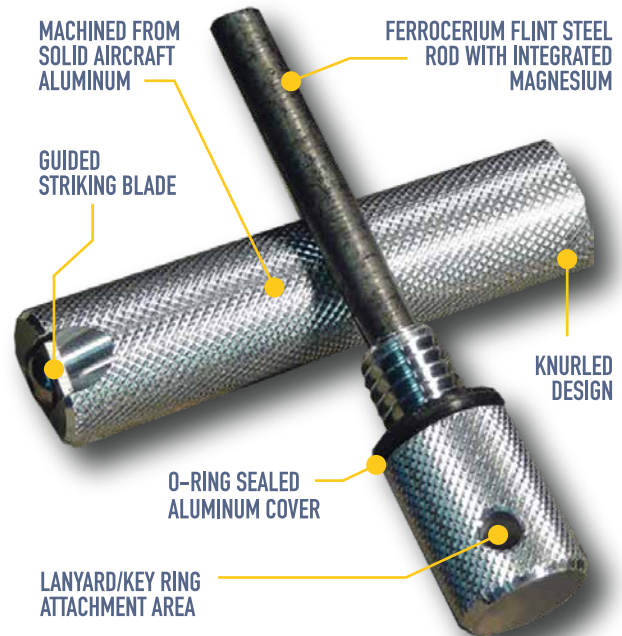
ITEM	PART #	UPC #
STAINLESS STEEL BLADE REPLACEMENT	185334	8 41688 00711 6
TUNGSTEN BLADE REPLACEMENT	185335	8 41688 00712 3

THE AURORA PROMISE:

Compromising on innovation is not in our DNA. We believe in providing best-in-class survival gear for those who prepare for the worst while expecting the best. We take pride in providing American Made products for those who protect our country everyday.



SINGLE STRIKE ACROSS THE ROD USING GUIDED STRIKING BLADE.



Distributed by:

The Fountainhead Group, Inc.
23 Garden Street, New York Mills, NY 13417 U.S.A.
Ph: (315) 736-0037
Email: Info@TheFGL.com